



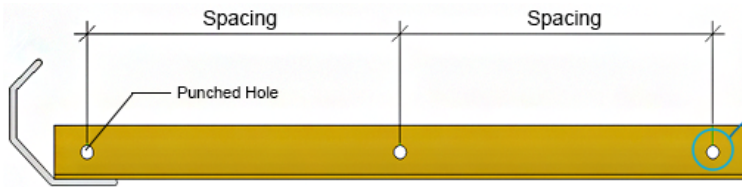
PART NUMBER	DESCRIPTION	WT EA (LB)	PRICE (EA)
50C425AST	1/2" X 4-1/2" WEDGE ANCHOR	0.1	\$ 1.40
62C450AST	5/8" X 4-1/2" WEDGE ANCHOR	0.4	\$ 1.67
IDB42	42" X 4.5" DIAMETER BOLLARD	35	\$ 93.41
IDB642	42" X 6" DIAMETER BOLLARD	61	\$ 132.08
IDGL1	LIFT-OUT BRACKETS (PAIR)	18	\$ 72.37
IDGPDC	44" DOUBLE RAIL POST/ ANCHORS (CENTERED BASE PLATE)	45	\$ 121.85
IDGPDO	44" DOUBLE RAIL POST/ ANCHORS (OFFSET BASE PLATE)	45	\$ 121.85
IDGPSC	17" SINGLE RAIL POST/ ANCHORS (CENTERED BASE PLATE)	27	\$ 76.92
IDGPSO	17" SINGLE RAIL POST/ ANCHORS (OFFSET BASE PLATE)	27	\$ 76.92
IDGR3	3' HEAVY DUTY RAIL	25	\$ 71.63
IDGR4	4' HEAVY DUTY RAIL	32	\$ 80.60
IDGR5	5' HEAVY DUTY RAIL	38	\$ 95.87
IDGR6	6' HEAVY DUTY RAIL	45	\$ 98.73
IDGR8	8' HEAVY DUTY RAIL	59	\$ 114.25
IDGR10	10' HEAVY DUTY RAIL	72	\$ 124.79
IDRP12	12" HIGH COLUMN GUARD	10	\$ 22.67
IDRP18	18" HIGH COLUMN GUARD	13	\$ 26.13
IDRP42L	42" LONG RACK GUARD LEFT SIDE	42	\$ 76.08
IDRP42R	42" LONG RACK GUARD RIGHT SIDE	42	\$ 76.08



****ALL GUARD RAIL POSTS COME WITH ANCHORS.**
 ADD ANCHORS FOR RACK GUARDS, COLUMN GUARDS AND BOLLARDS.
 RACK GUARDS REQUIRE 3 ANCHORS EA (5/8" X 4-1/2" WEDGE)
 BOLLARDS REQUIRE 4 ANCHORS EA (5/8" X 4-1/2" WEDGE)
 COLUMN PROTECTORS REQUIRE 4 ANCHORS (1/2" X 4-1/4" WEDGE)



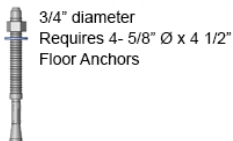
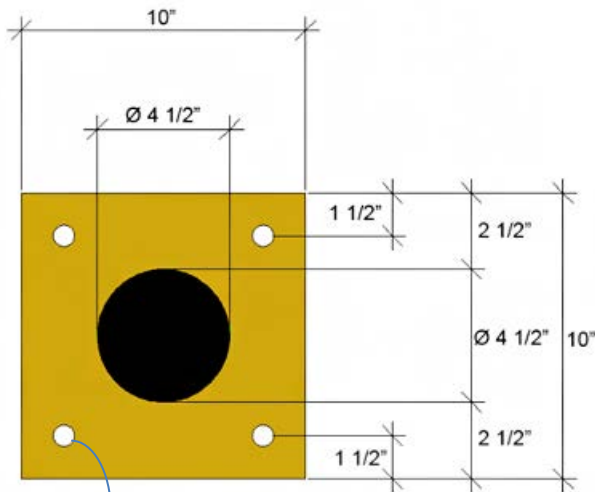
RACK GUARDS REQUIRE 3 ANCHORS EA (5/8" X 4-1/2" WEDGE)



Requires 5/8" Ø x 4 1/2"
Wedge Type Bolt



BOLLARDS REQUIRE 4 ANCHORS EA (5/8" x 4-1/2" WEDGE)



COLUMN PROTECTORS REQUIRE 4 ANCHORS (1/2" X 4-1/2" WEDGE)

