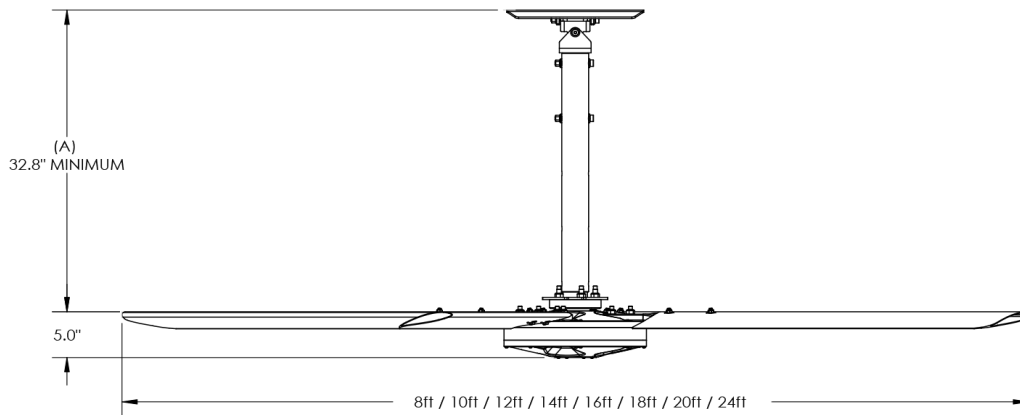


# Hunter



# ECO

AIRFOIL DIAMETER	8ft	10ft	12ft	14ft	16ft	18ft	20ft	24ft
Airfoil Material	6005A Structural Grade Aluminum							
Airfoil Width	7in							
Number of Airfoils	4							
Airfoil Color	Black Matte							



PERFORMANCE	8ft	10ft	12ft	14ft	16ft	18ft	20ft	24ft
Max Speed (RPM)	156	139	108	108	94	80	77	62
Recommended Spacing	32ft	40ft	48ft	56ft	64ft	72ft	80ft	96ft
Max Affected Area (SQFT)	1,600	2,500	3,600	4,900	6,400	8,100	10,000	14,400
Sound Level dBA at Max Speed	<55	<55	<55	<55	<55	<55	<55	<55

HANGING REQUIREMENTS	8ft	10ft	12ft	14ft	16ft	18ft	20ft	24ft
Hanging Weight (lbs)	87	94	101	128	135	138	145	159

# Hunter

# ECO

## MOTOR AND DRIVE TRAIN

	8ft	10ft	12ft	14ft	16ft	18ft	20ft	24ft
Motor Type	Brushless Motor							
Max Watts (W)	486	749	777	713	1013	849	920	1124
Operating Temp Range	14° to 140°F (-10° to 60°C)							
Motor Color	Black Matte							

## RATED AMP DRAW

	8ft	10ft	12ft	14ft	16ft	18ft	20ft	24ft
200-240V Single Phase	6.5A	6.5A	6.5A	6.5A	6.5A	6.5A	6.5A	6.5A
200-240V Three Phase	3.5A	3.5A	3.5A	3.5A	3.5A	3.5A	3.5A	3.5A
400-480V Three Phase	2.0A	3.0A	3.0A	3.0A	3.0A	3.0A	3.0A	3.0A

## POWER AND CONTROLS

Power Source	AC 1PH 200-240V 50-60HZ, AC 3PH 200-240V 50-60HZ, AC 3PH 380-480V 50-60HZ
Main Controller	Variable Frequency Drive
Wall Control Options	Digital HMI 350, 500 or 700E Series
Building Management Compatible (With Gateway Accessory)	BACnet MS/TP, BACnet IP, Modbus RTU

## INSTALLATION

Mounting Options	I-Beam, Glulam, Unistrut or Perlin
Downrod Length	2.5ft - 10ft
Extension	Downrods available in 3 adjustable increments: 2.5-4ft, 4.5-6ft, 6.5-10ft. Downrod length adjustments may be made in increments of 6". Downrod length must be specified at time of order. Above 10ft inquire.
Motor Wiring	Pre-wired motor cables with twist lock connections
HMI Wiring	CAT5/RJ45 Power Over Ethernet (POE)
Accessories/Options	Fire Relay

# Hunter

# ECO

## RATING AND COMPLIANCE

Fire and Sprinkler	NFPA 13 and NFPA 72 Compliant
Wash Down Duty Rating	UL 507 Damp rated
Certifications	ETL/INTERTEK-CERTIFIED TO ANSI/UL 507 AND CSA C22.2 NO.113, IEC 61800-3, CE, AMCA Certified
Safety Features	Motor & Drive Overload Protections, Safety Retention Cable, Motor & Drive Protections
Warranty	Limited Lifetime Warranty



*(ECO 10FT Fan pictured above)*

**w.w.Cannon, Inc.**

**Design. Layout. Build. Install.**

1-800-442-3061

[www.wwcannon.com](http://www.wwcannon.com)