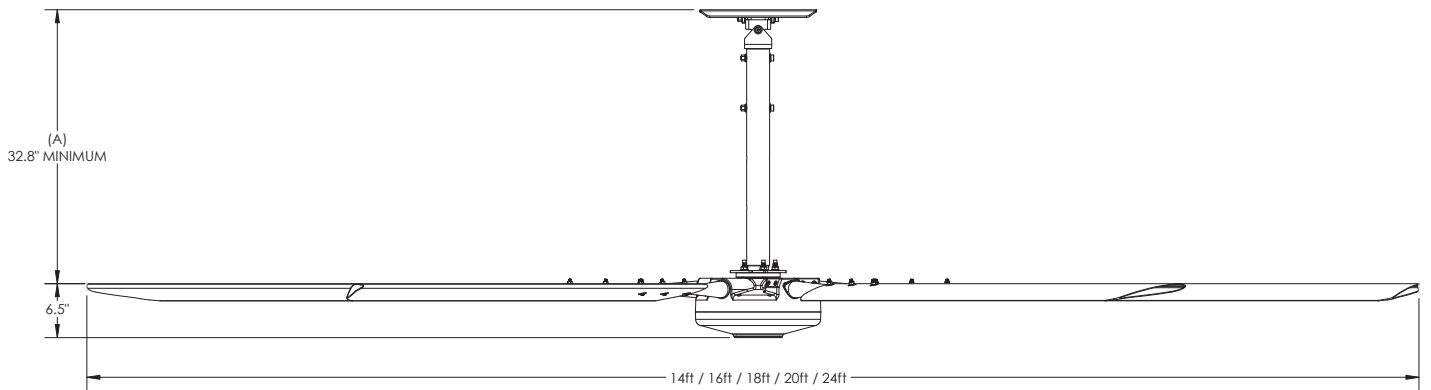




AIRFOIL DIAMETER	14ft	16ft	18ft	20ft	24ft
Airfoil Material	6005A Structural Grade Aluminum				
Airfoil Width	7in				
Number of Airfoils	5				
Airfoil Color	Anodized Silver				



PERFORMANCE	14ft	16ft	18ft	20ft	24ft
Max Speed (RPM)	103	95	93	73	64
Recommended Spacing	70ft	80ft	90ft	100ft	120ft
Max Affected Area (SQFT)	7,744	10,000	12,769	15,625	22,500
Sound Level dBA at Max Speed	<55	<55	<55	<55	<55

HANGING REQUIREMENTS	14ft	16ft	18ft	20ft	24ft
Hanging Weight (lbs)	168	175	183	190	204

**MOTOR AND DRIVE TRAIN**

14ft

16ft

18ft

20ft

24ft

Motor Type	Brushless Direct Current Motor				
Max Watts (W)	715	1013	1472	1020	1219
Operating Temp Range	14° to 140°F (-10° to 60°C)				

RATED AMP DRAW

14ft

16ft

18ft

20ft

24ft

200-240V Single Phase	6.5A	6.5A	7.6A	6.5A	6.5A
200-240V Three Phase	3.5A	3.5A	3.5A	3.5A	3.5A
400-480V Three Phase	3.0A	3.0A	3.0A	3.0A	3.0A

POWER AND CONTROLS

Power Source	AC 1PH 200-240V 50-60HZ, AC 3PH 200-240V 50-60HZ, AC 3PH 380-480V 50-60HZ
Main Controller	Variable Frequency Drive
Wall Control Options	Digital HMI 350, 500 or 700E Series
Building Management Compatible (With Gateway Accessory)	BACnet MS/TP, BACnet IP, Modbus RTU

INSTALLATION

Mounting Options	I-Beam, Glulam, Unistrut or Perlin
Downrod Length	2.5ft - 10ft
Extension	Downrods available in 3 adjustable increments: 2.5-4ft, 4.5-6ft, 6.5-10ft. Downrod length adjustments may be made in increments of 6". Downrod length must be specified at time of order. Above 10ft inquire.
Motor Wiring	Pre-wired motor cables with twist lock connections
HMI Wiring	CAT5/RJ45 Power Over Ethernet (POE)
Accessories/Options	Fire Relay

RATING AND COMPLIANCE

Fire and Sprinkler	NFPA 13 and NFPA 72 Compliant
Wash Down Duty Rating	UL 507 Damp rated
Certifications	ETL/INTERTEK-CERTIFIED TO ANSI/UL 507 AND CSA C22.2 NO.113, IEC 61800-3, CE, AMCA Certified
Safety Features	Motor & Drive Overload Protections, Safety Retention Cable, Motor & Drive Protections
Warranty	Limited Lifetime Warranty



(TITAN 14FT Fan pictured above)

w.w.Cannon, Inc.
Design. Layout. Build. Install.
 1-800-442-3061
 www.wwcannon.com