



The same company  
you have trusted to  
manufacture your pallet  
rack for over 50 years  
also manufactures the  
most durable aluminum  
roller carton flow lanes.

**UNARCO MATERIAL HANDLING, INC.**

701 16th Avenue East  
Springfield, TN 37172  
1-800-862-7261

[www.UNARCORACK.com](http://www.UNARCORACK.com) [www.RHINOTRAC.com](http://www.RHINOTRAC.com)

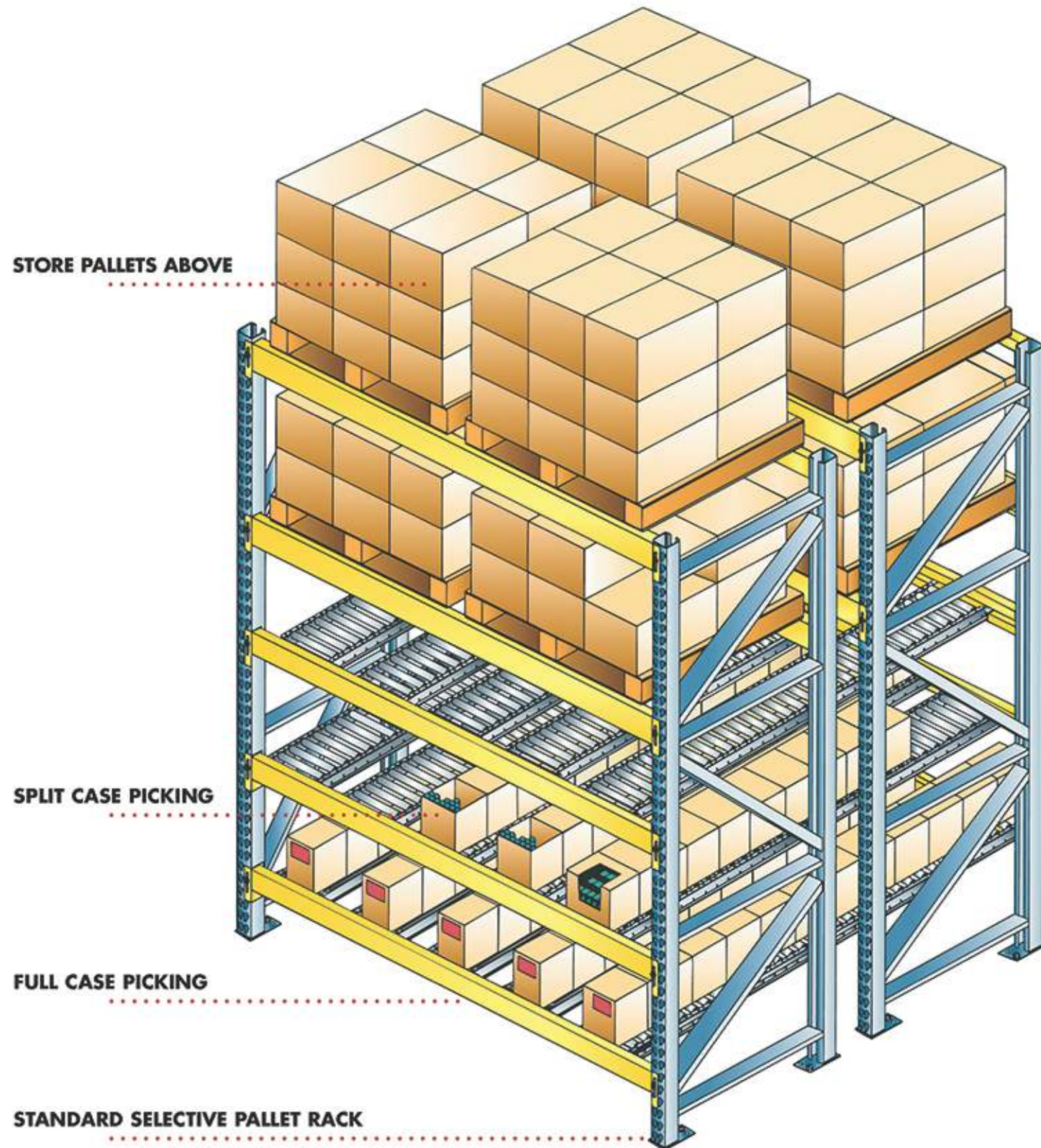
RT-10-13



***RHINO*TRAC**

**FULL WIDTH ROLLER CARTON FLOW TRACK**

**COMPATIBLE WITH EVERY BRAND OF PALLET RACKING**



*Convert Existing Pallet Racking  
Into A Carton Flow System  
With Overhead Storage*

## FULL VERTICAL STOCKING SPACE RHINOTRAC RESTS BELOW THE BEAM

- *Compatibility With All Pallet Rack Brands*
- *Easy Installation - No Hardware Required*
- *Damage Resistant Aluminum Rollers*
- *Galvanized Side Channels Supported By Heavy Duty End-Plates For Constant Impact Loading*

**STANDARD ROLLER WIDTHS:**  
6", 9", 12", 15"

**STANDARD ROLLER CENTERS:**  
1", 2" and 3" On Center

## CONTENTS

### RHINOTRAC

*For Heavy Duty Carton Flow Systems With Standard Pallet Rack Beams*

#### SPECIFICATIONS ..... 3-4

- Product Overview
- Track Span Capacity
- Roller Dimensions
- End Support Details
- Roll-Formed Beam
- Structural Beam

#### OPTIONS ..... 5-6

- Tilt Trays
- Knuckle Shelves
- Box Stop

### RHINODECK

*For Low Profile, Drop-In Carton Flow Systems*

#### SPECIFICATIONS ..... 7-8

- Product Overview
- Roller Dimensions

#### PRODUCT DETAILS ..... 9-10

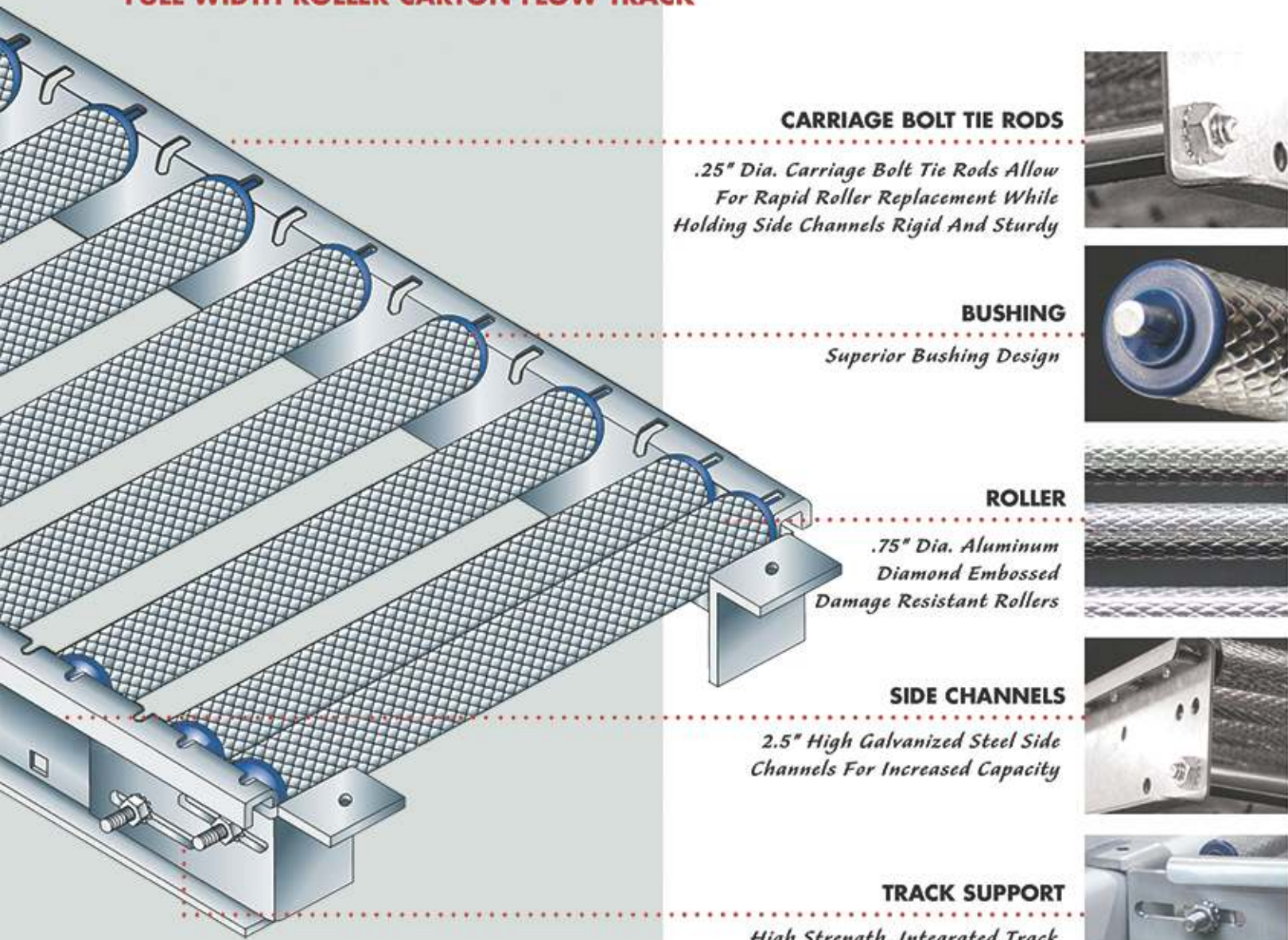


A DIVISION OF UNARCO

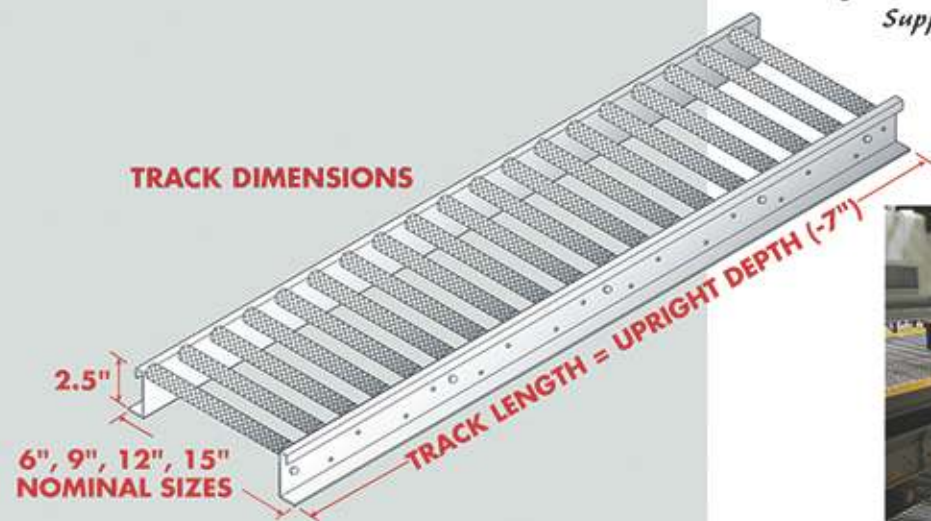
**COMPATIBILITY**

**FLEXIBILITY**

**RELIABILITY**

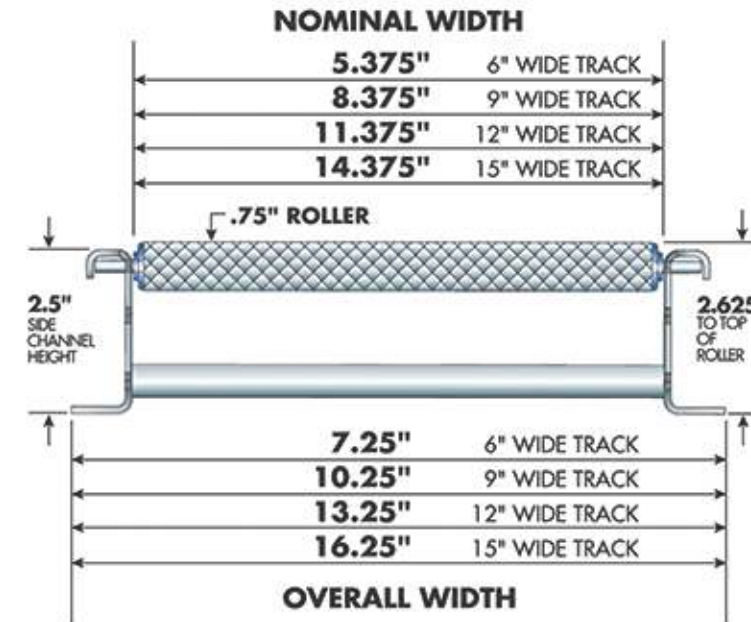


### TRACK DIMENSIONS



RhinoTrac Pick Module Application - Multi-Level

### RHINOTRAC Roller Dimensions



### TRACK CAPACITY CHART

TRACK CAPACITY SPAN PER FOOT*			
TRACK SPAN	LBS.PER LIN. FT.	TRACK SPAN	LBS.PER LIN. FT.
60"	160.4	91"	45.2
63"	138.5	93"	43.7
66"	120.5	96"	39.2
69"	105.4	99"	35.7
72"	92.8	102"	32.6
75"	82.1	105"	29.9
78"	73.0	108"	27.5
81"	65.2	111"	25.3
84"	58.4	114"	23.4
87"	52.6	117"	21.6
90"	47.5	120"	20.0

**Note:** Track Capacity May Be Limited By Bracket Capacity. Engineering Approval Required For Applications Of More Than 400 Lbs/Lane.

\*Capacity based on L/240 deflection calculation

### RHINOTRAC END SUPPORTS



Slotted End Supports Adjust To Vary Length And Insure Proper Fit

- Pre-Installed End Brackets Allow For Easy Drop-In Installation
- Brackets Directly Support Side Channels And Allow Track To Rest Below The Beam And Use Beam As End Stop
- Slotted Adjustability Of End Supports Allow The Flexibility To Vary Length For Field Adjustment
- Heavy Duty Steel Construction With Durable Plated Finish

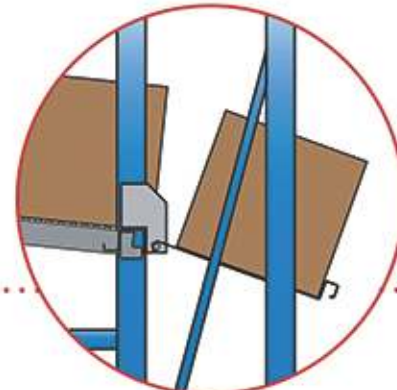
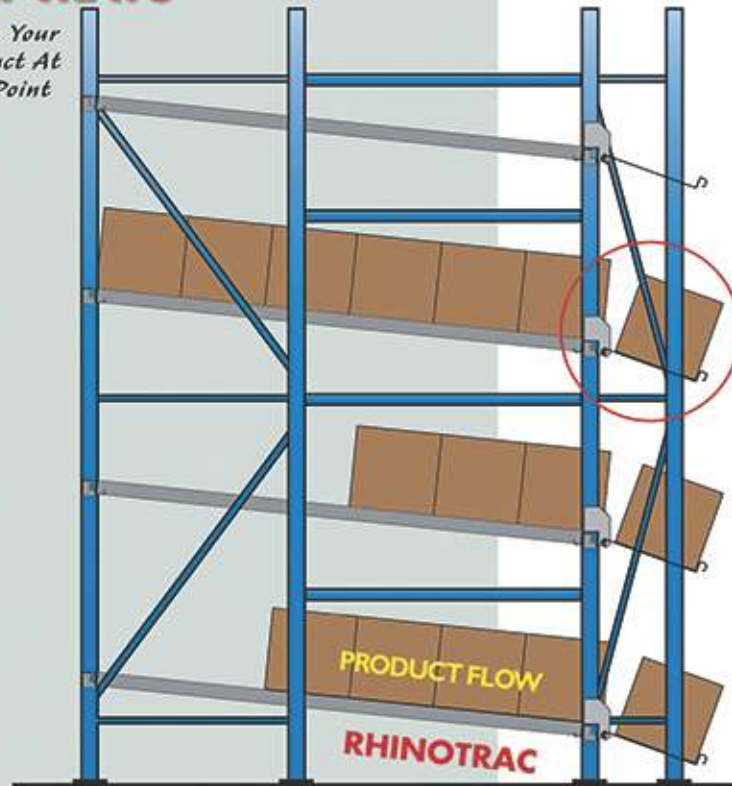


### STRUCTURAL

Integrated Brackets With Adjustability For Structural Beams

## TILT TRAYS

Angle Your Product At Pick Point



TILT TRAY DETAIL



## TILT TRAY BENEFITS

- **PRODUCT VISIBILITY**  
*Helps Order Picking Accuracy*
- **LAYBACK VERSION**  
*Every Level Is Recessed From One Below*
- **PICK MULTIPLE LEVELS WITH EASE**  
*Never Have To Reach Under Shelf*
- **MORE ERGONOMIC FOR EMPLOYEES**  
*Less Bending & Reaching*

## KNUCKLE SHELVES

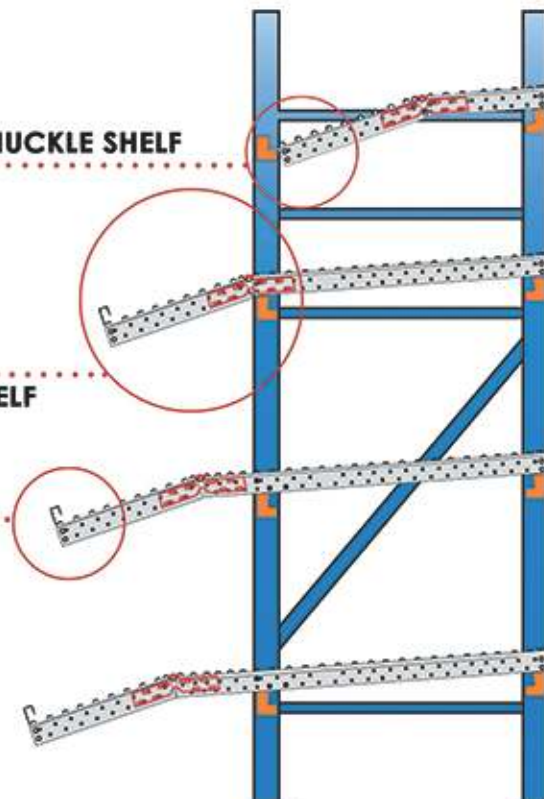
Angle Rollers Over Beam To Place Product In Proper Picking Position



INTERNAL KNUCKLE SHELF

EXTERNAL KNUCKLE SHELF

BOX STOP



## LONGER LENGTHS

TRACK TO TRACK SPLICING FOR EXTRA DEEP LANES

SPLICE PLATE ATTACHES IN FIELD OR FACTORY

## SMOOTH FLOW



Rear Beam Is Placed At A Higher Elevation Than Front Beam For Sloped Product Flow.

## LOW PROFILE



Rhinotrac Rests Below Beam Level In The Front For Maximum Storage And A Helpful Product Stop.

## ADJUSTABLE



Preassembled Lanes With Integrated Brackets Are Easily Moveable As Locations Change.

## ADAPTABLE



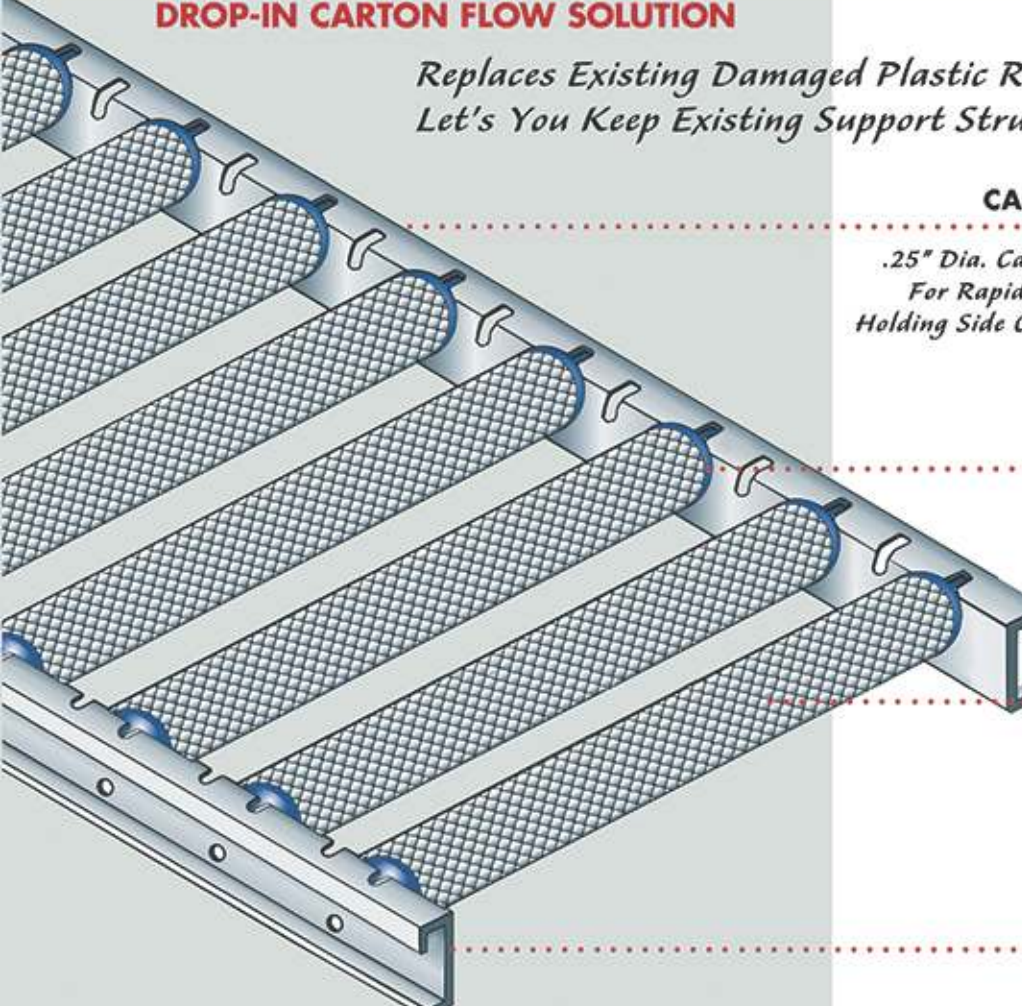
Rhinotrac Easily Attaches To Structural Beams With The Use Of The Integrated Rhinotrac Bracket.



A DIVISION OF UNARCO

## DROP-IN CARTON FLOW SOLUTION

Replaces Existing Damaged Plastic Rollers  
Let's You Keep Existing Support Structures Intact



### CARRIAGE BOLT TIE RODS

.25" Dia. Carriage Bolt Tie Rods Allow For Rapid Roller Replacement While Holding Side Channels Rigid And Sturdy



### BUSHING

Superior Bushing Design



### ROLLER

.75" Dia. Aluminum Diamond Embossed Damage Resistant Rollers

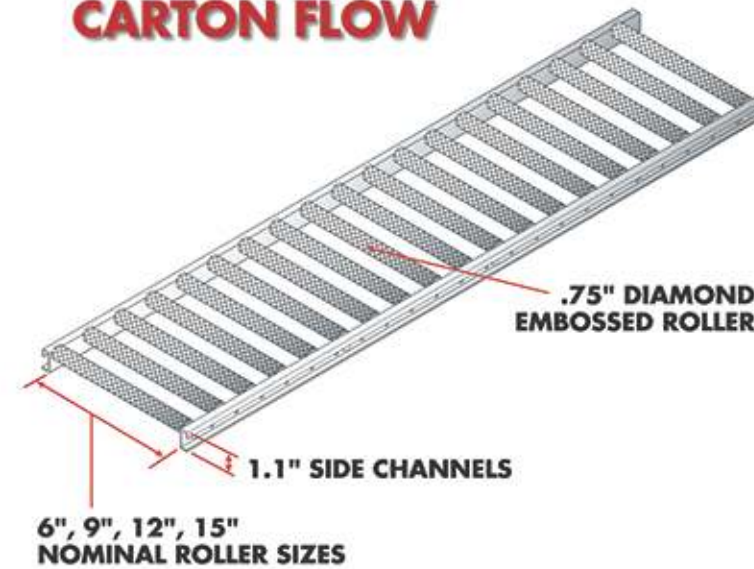


### SIDE CHANNELS

1.1" High Galvanized Steel Side Channels



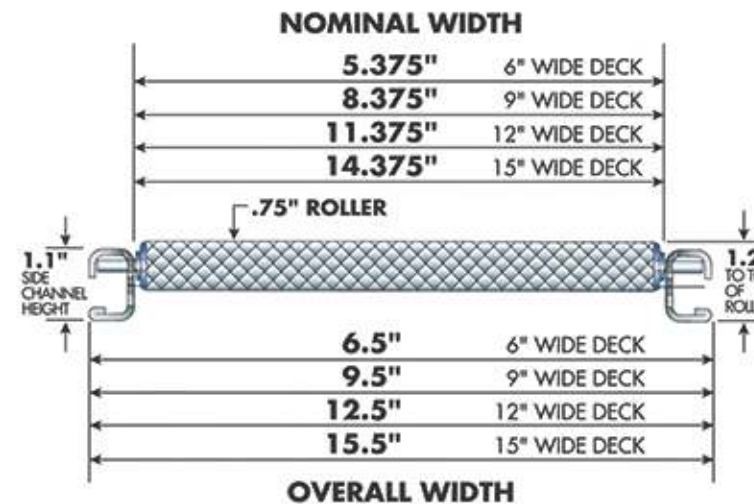
## BETTER PRODUCT FEED THAN TRADITIONAL CARTON FLOW



1.1" SIDE CHANNELS

6", 9", 12", 15" NOMINAL ROLLER SIZES

## RHINODECK Roller Dimensions



NOTE: RHINODECK Lane Capacity Is Generally Limited By Track Support Spacing. Track Capacities Exceed Current Carton Flow Tracks.

## RHINODECK



Replace Existing Damaged Or Poorly Functioning Carton Flow Lanes With RHINODECK

Remove Plastic Wheels And Keep Your Existing Rack Structure Then Add RHINODECK For:

MORE LOAD CAPACITY THAN TRADITIONAL CARTON FLOW TRACK

THE GREATEST RESISTANCE TO IMPACT LOADING

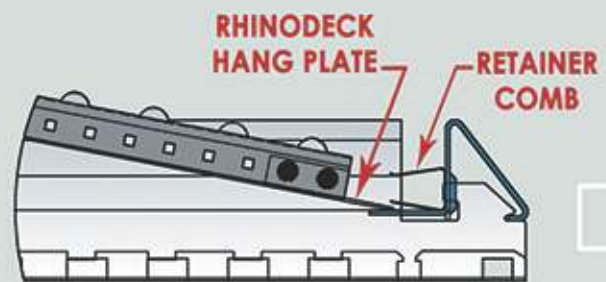
IMPROVED PRODUCT FLOW



A DIVISION OF UNARCO

## FLEXIBILITY & NO MAINTENANCE

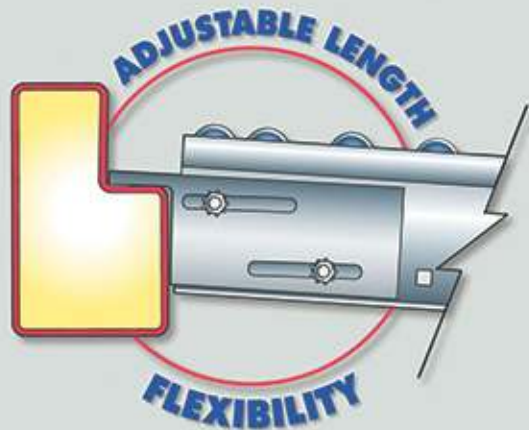
- Low 1.1" Profile
- Easily Drops Into Existing Carton Flow Systems
- Relocate Tracks Easily As SKU Sizes Change Or Your System Grows



## RHINODECK INSTALLATION FOR UPICK & KPICK CARTON FLOW



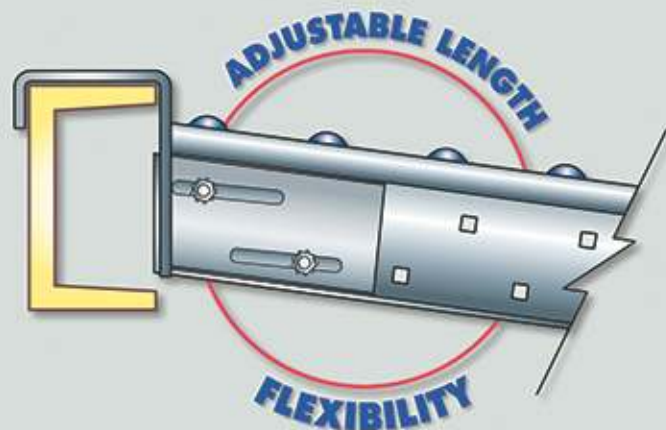
## EASY INSTALLATION



Roll-Formed Beam Bracket Detail



RhinoTrac Brackets Rest on Beam Ledge



Structural Beam Bracket Detail



RhinoTrac Rear Cantilevered Shelf Helps Loading



Multi-Level RhinoTrac Application



RhinoTrac Flow to Conveyor



Superior Box Flow



Double-Deep RhinoTrac Application with Internal Knuckle



96" Deep RhinoTrac Lanes

## YOUR TOTAL PACKAGE



*Engineering of Basic Rack Projects  
Or Sophisticated Modules -  
Your Project Planning Never Needs To Go  
Beyond The Walls of Unarco*

●  
**Save On  
Freight & Delivery  
As Your Total Project Ships  
From One Location**

●  
**All Of Your  
Components Arrive Together -  
Pallet Rack And Flow Track Helps  
With Scheduling**



A DIVISION OF UNARCO