

Fingerprint Reader and Keypad

SK-2612-SFSQ

Features:

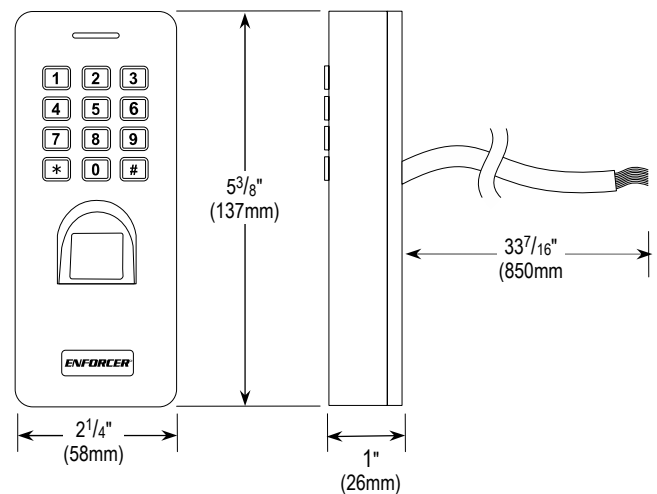
- 500DPI Optical fingerprint reader
- Up to 3,000 users (up to 1,000 fingerprint users, up to 2,000 PIN users)
- User code length 4~6 digits
- Fingerprint identification time – ≤1 second
- Fingerprint false acceptance rate – ≤0.01%
- Fingerprint false rejection rate – ≤0.1%
- 12VDC Operation
- Form C relay output – 2A@12VDC
- Tamper alarm output – 2.5A@12VDC
- Adjustable relay output time – 100ms~99s, or toggle
- Weatherproof – IP66
- Illuminated fingerprint reader window
- 26~44 bit Wiegand output
- 2-Door interlock



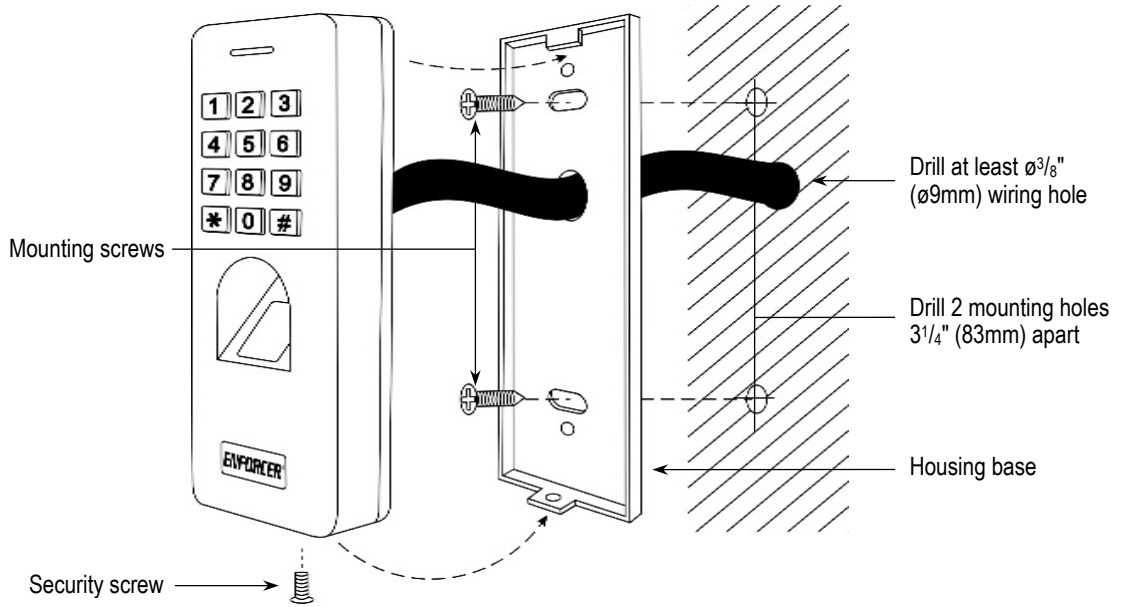
Specifications:

Operating voltage	12VDC	
Current draw	Standby	45mA@12VDC
	Active	200mA@12VDC (max.)
Outputs	Form C	2A@12VDC
	Tamper alarm	2.5A@12VDC
	Wiegand	26~44 bit
Egress input	N.O. Ground	
Door sensor input	N.C. Ground	
Enclosure material	Zinc alloy	
Operating temperature	-22°~140° F (-30°~60° C)	
Operating humidity	20~90%	
Dimensions	2 1/4" x 5 3/8" x 1" (58x137x26 mm)	
Weight	14.2-oz (400g)	

Overview:



Mounting Diagram:



Quick Wiring Diagram:

