

HES 9400/9500/9600/9700 Electric Strike

ASSA ABLOY

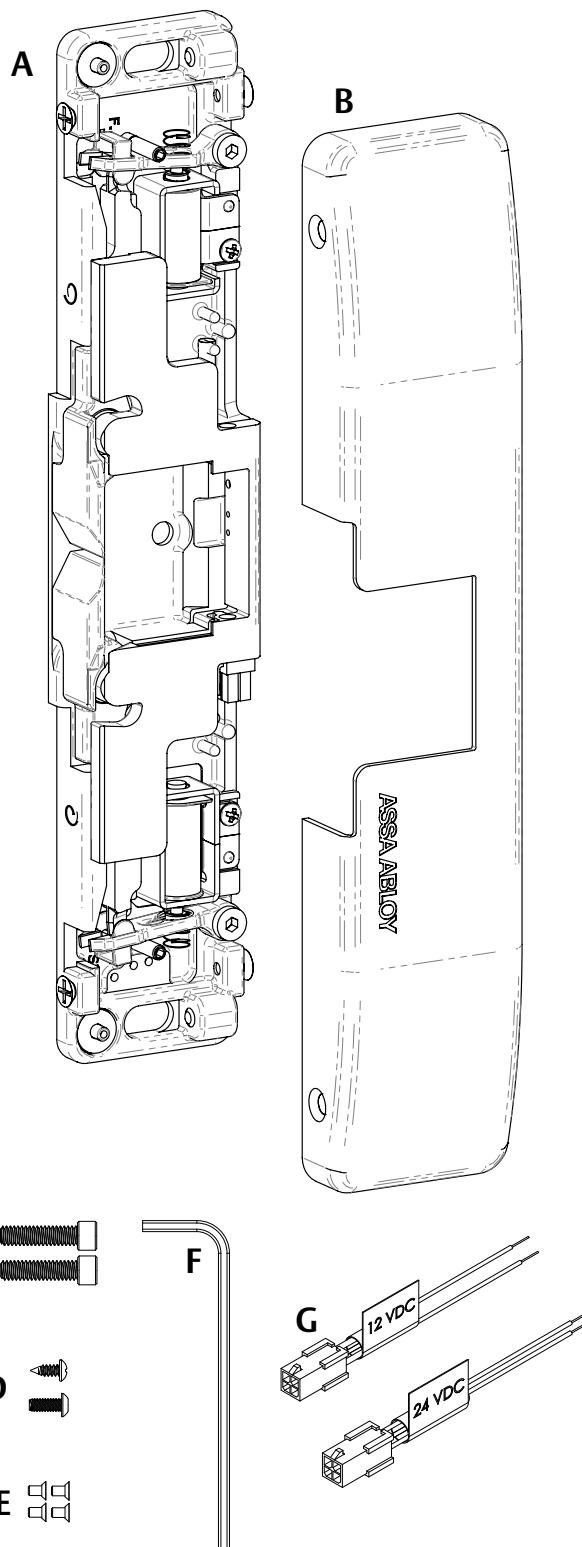
Installation Instructions and Frame Preparation

The global leader in
door opening solutions

Product Components

- A 9400/9500/9600/9700 Strike Body
- B 9400/9500/9600/9700 Cover
- C 1/4"-20 x 1" Mounting Screws
- D #10-32 & 10-24 Lockdown Screws (optional)
- E #6-32 x 1/4" Cover Screws
- F 5/64" Hex Key
- G 12-Volt and 24-Volt Pigtails

Diagram 1: Product Components



Electrical Specifications

Electrical Ratings for Solenoid

	12 VDC	24 VDC
Continuous Duty		
Resistance in Ohms	24	96
mA Continuous Duty	500	250

Solenoids are rated at +/- 10% indicated value.

Minimum Wire Gauge Requirements (Based on Round Trip)	Solenoid Voltage	
	12 VDC	24 VDC
200 feet or less	18 gauge	22 gauge
200 – 300 feet	16 gauge	22 gauge
300 – 400 feet	16 gauge	20 gauge

UL1034

- Static Strength: 1500 lbs
- Dynamic Strength: 70 ft – lbs
- Endurance: 250,000 cycles

UL294 Performance Levels

- Destructive Attack: Level I
- Line Security: Level I
- Endurance: Level IV
- Standby Power: Level I

NOTE: Installation wiring for the product and wiring methods shall be in accordance with the National Electrical Code, ANSI/NFPA70

▲ CAUTION ▲ Before connecting any device at the installation site, verify input voltage using a multimeter. Many power supplies and low voltage transformers operate at higher levels than listed. Any input voltage exceeding 10% of the solenoid rating may cause severe damage to the unit and will void the warranty.

Preparing the Strike

For 12 VDC, the Plug In Connector (pigtail) marked "12 VDC" should be used; for 24 VDC, the pigtail marked "24 VDC" should be used.

- 1 SELECT the appropriate pigtail that matches system power and electrically CONNECT as illustrated in Diagram 1.
- 2 IF no connector is present, THEN CONFIGURE the wires as shown in Diagram 2.
- 3 IF using the Latchbolt Monitor (LBM) or Latchbolt Strike Monitor (LBSM), THEN REFER to Diagrams 5 and 6 to complete wiring (see page 3).

Diagram 1: 12V to 24V Conversion

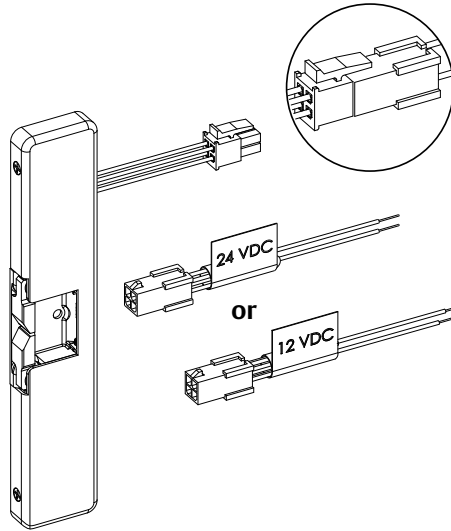
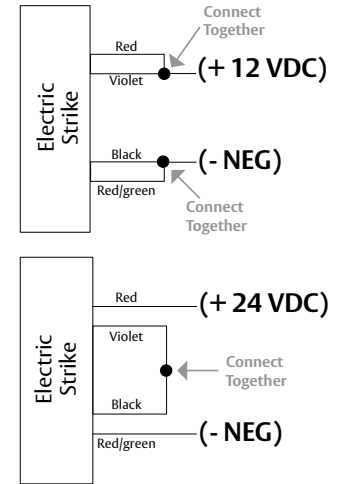


Diagram 2: If Connector Is Missing

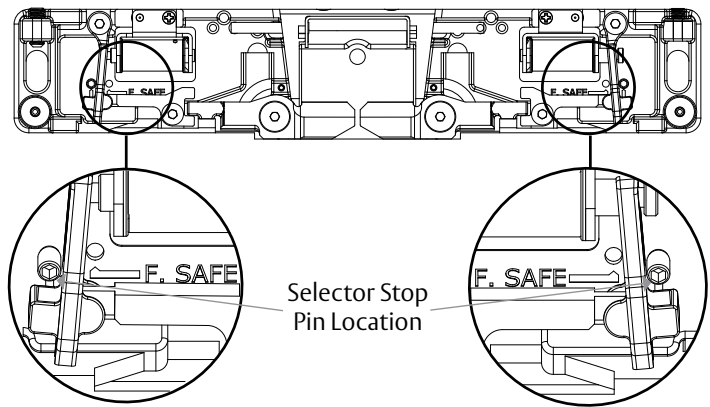


Verifying the Operation Mode

The HES 9400/9500/9600/9700 Electric Strike is pre-set for FAIL SECURE OPERATION as shown in Diagram 3.

- 1 VERIFY that both keepers are in FAIL SECURE OPERATION.

Diagram 3: Fail Secure Operation



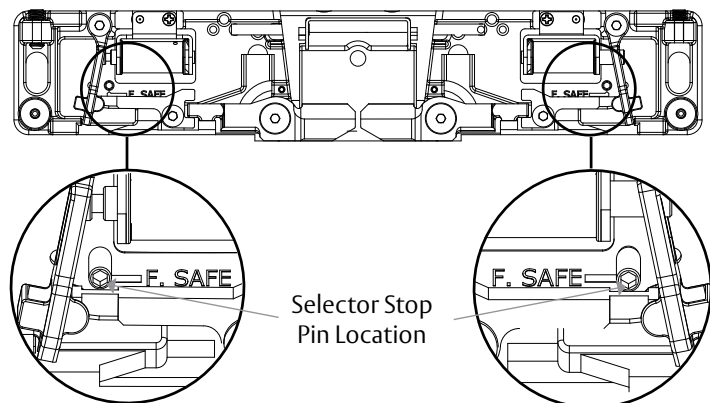
Converting the Operation Mode

There are two Selector Stop Pins, one on the left side and one on the right side. Both Selector Stop Pins must be repositioned (as shown in Diagram 4) to convert the strike to FAIL SAFE OPERATION.

IN FAIL SAFE OPERATION: Both keepers should be unlocked without power and locked when power is applied.

- 1 To convert to FAIL SAFE OPERATION, REMOVE the Selector Stop Pins on each side of the strike body using the provided 5/64" hex key.
- 2 MOVE the Selector Stop Pins to the FAIL SAFE OPERATION position (towards the center of the strike) as shown in Diagram 4.
- 3 TIGHTEN both Selector Stop Pins after they have been moved to the FAIL SAFE OPERATION position using the 5/64" hex key.

Diagram 4: Fail Safe Operation



▲ CAUTION ▲ FAIL SAFE OPERATION mode should not be used in fire rated or windstorm resistant applications.

Preparing the Frame

NOTE: When using a Corbin Russwin Series 5000 or Yale 7000 Series equipped with an offset deadlatch, the deadlatch is located just above the vertical alignment line as shown in the dimensions on page 4.

- IDENTIFY and MARK the latchbolt centerline on the frame.
- Using the dimensions provided on page 4, MARK all appropriate holes. If using a HES 9000-ASB*, reference the installation instructions provided with that product. NOTE: In retrofit applications this may require the exit device to shift horizontally towards the hinge side of the door to compensate for the HES 9000-ASB.

- PUNCH, DRILL and TAP the marked holes as required.

* When mounting on an aluminum frame, with a blade stop, an HES 9000-ASB (sold separately) is necessary to provide a secure installation. The HES 9000-ASB is shown installed in Diagrams 8 and 9.

Diagram 5
Latchbolt Monitor

White	Common
Orange	Normally Open
Green	Normally Closed

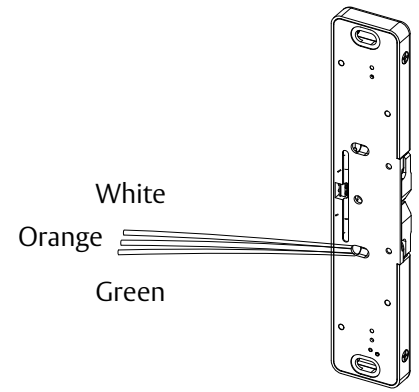
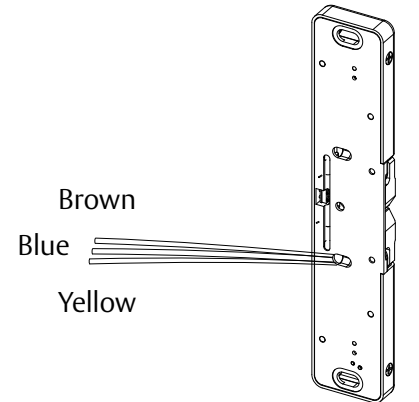


Diagram 6
Latchbolt Strike Monitor

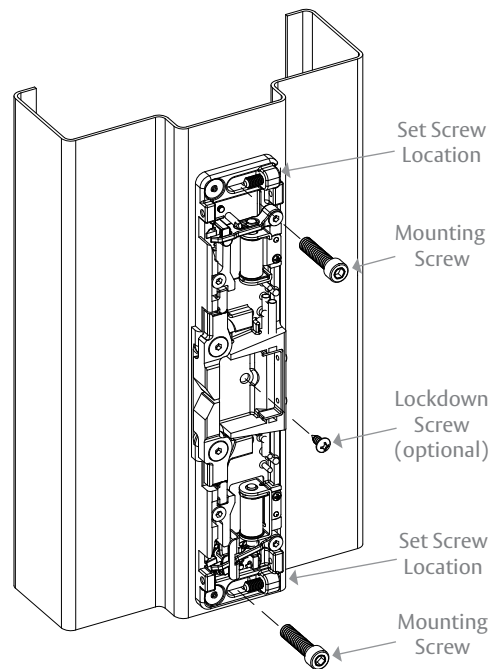
Brown	Common
Blue	Normally Open
Yellow	Normally Closed



Finishing the Installation

- ELECTRICALLY CONNECT the HES 9400/9500/9600/9700 to the Plug In Connector, and ATTACH the electric strike to the jamb using the 1/4"-20 x 1" mounting screws provided.
- CHECK the latchbolt interaction with the keepers to ensure proper engagement and clearance. If horizontal adjustment is needed, ADJUST the strike and LOCKDOWN the horizontal adjustment using the 10-32 set screws illustrated on Diagram 7.
- TIGHTEN the two 1/4"-20 x 1" mounting screws.
- OPTIONAL LOCKDOWN FEATURE: INSTALL the #10-24 UNC or 10-32 UNF lockdown screw if additional security is required; however, REMOVE the strike before drilling hole. If using a HES 9000-ASB it will require drilling and tapping of the lockdown hole.
- INSTALL the cover plate, and SECURE in place using the #6-32 x 1/4" Cover Screws.

Diagram 7

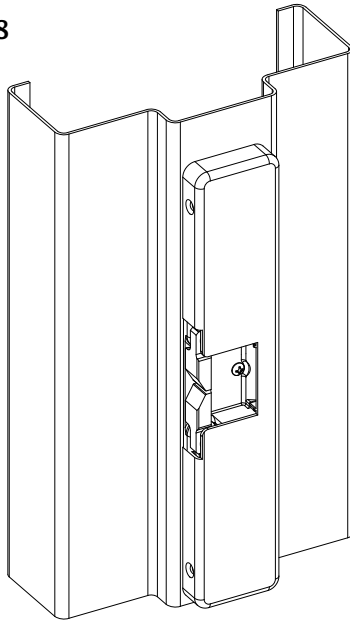


▲ CAUTION ▲ IF no LOCKDOWN SCREW is used the electric strike WILL NOT be windstorm rated. This pertains ONLY to the HES 9600 and 9700.

w.w.Cannon, Inc.
 Design. Layout. Build. Install.
 1-800-442-3061
 www.wwcannon.com

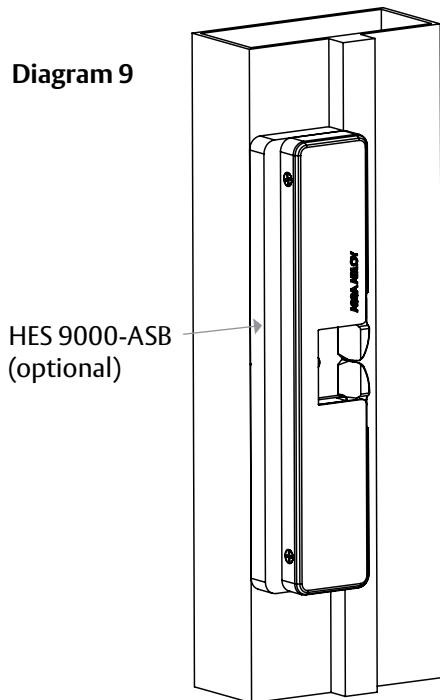
Frame Preparation

Diagram 8



HES 9400 Mounted on Hollow Metal Frame

Diagram 9



HES 9000-ASB (optional)

HES 9400 Mounted on Aluminum Frame with Blade Stop

Dimensions

NOTE: Not to scale. For easy installation, the HES 9000-MTK should be ordered.

