



# ADVANCE LIFTS

**KEEP YOUR DOCK OPERATIONS ON THE LEVEL  
WITH A DOCK LIFT**



**RECESSED DOCK LIFTS  
(DISAPPEARING DOCKS)**

**TOP OF GROUND DOCK LIFTS  
(INSTANT DOCKS)**

***ADVANCE DOCK LIFTS***



# ADVANCE DOCK LIFTS®

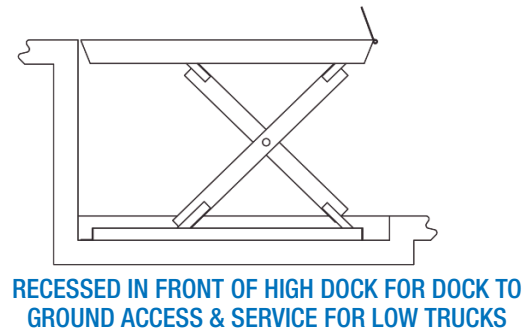
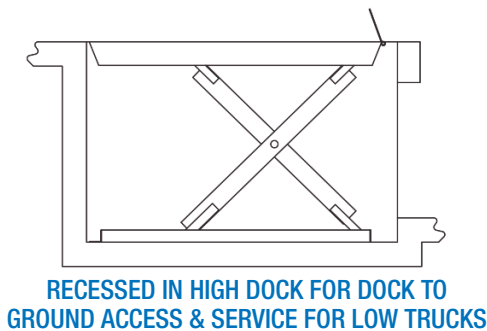
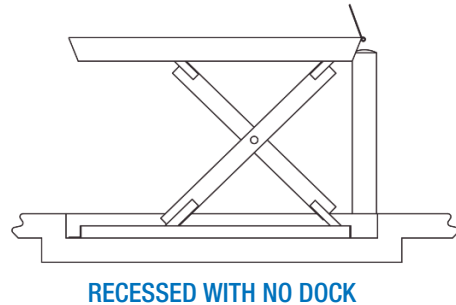
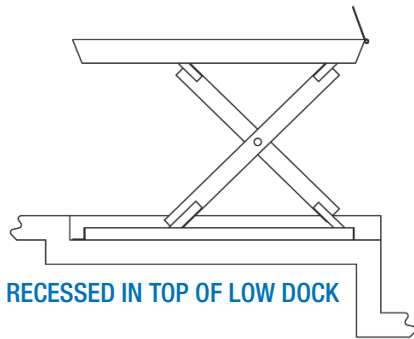


## RECESSED DOCK LIFTS

Advance Lifts offers the broadest array of recessed dock lifts in the industry. Our website, [Advancedocklifts.com](http://Advancedocklifts.com), contains dock lift selection guides, explanation of features and benefits, answers to commonly asked questions, generic pit diagrams, architectural specifications and tables describing each model. If you have questions about any of the information you may call us at **1-800-THE DOCK (843-3625)** and one of our dock experts will be pleased to help you.

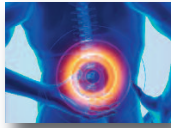
**Note:** The chief advantage of the recessed dock lift over the top of ground dock lift is that it disappears when it is recessed into the pit and can easily sustain crossover traffic.

### TYPICAL INSTALLATIONS



# WHY USE DOCK LIFTS

## SAFETY



**JUST (1) LOWER BACK INJURY**

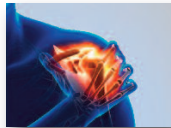
**OR**

**(1) SMASHED METATARSAL**



**OR**

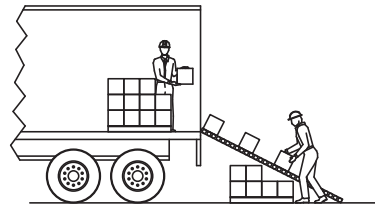
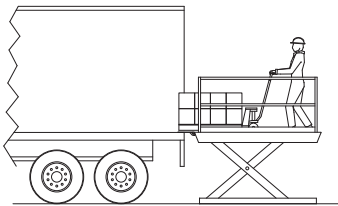
**(1) TORN ROTATOR CUFF**



**CAN COST MORE THAN (1) DOCK LIFT**

## EFFICIENCY

Two men with pallet jacks and a dock lift can unload a typical 53 foot trailer in about 45 minutes. The same two men without a dock lift will take about 2 Hours to do the same job.



**This means:**

- Real savings in labor costs
- Real savings in truck turnaround costs
- Real savings in loss of heat or air conditioning due to open doors

## VERSATILITY

Trucks come in all sizes with deck heights from 8" off the ground to 58" off the ground. Only dock lifts can service the entire range of truck sizes safely and efficiently.



**SEMI-TRAILER  
TRUCKS**



**CITY DELIVERY  
TRUCKS**



**HIGH CUBE VANS**



**PICK UP &  
PANEL TRUCKS**



**DELIVERY  
VANS**



**ADVANCE DOCK LIFTS**®

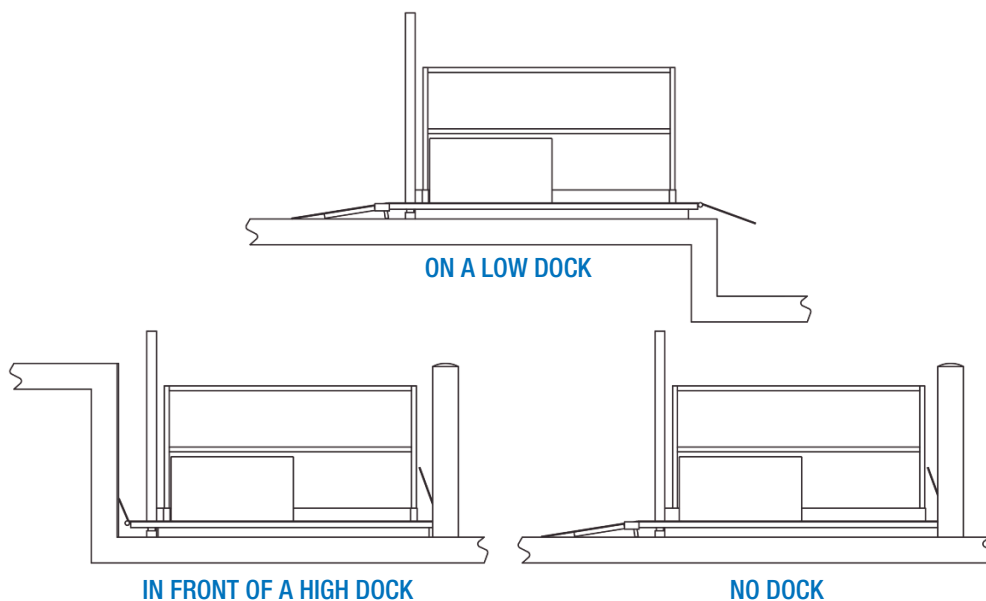


## TOP OF GROUND DOCK LIFTS

Advance Lifts offers the broadest choice of top of ground docks lifts in the industry. Our website, [Advancedocklifts.com](http://Advancedocklifts.com), contains dock lift selection guides, explanation of features and benefits, answers to commonly asked questions, generic concrete pad diagrams, architectural specifications and tables describing each model. If you have questions about any of the information you may call us at **1-800-THE DOCK (843-3625)** and one of our dock experts will be pleased to help you.

**Note:** The chief advantage of the top of ground dock lift is that it requires no pit. This is especially important when dealing with underground utilities and problem drainage areas.

## TYPICAL INSTALLATIONS





## NATIONAL CONTRACTS

Advance Lifts has more than 40 years of experience running national contracts for large organizations with more than 10,000 facilities spread out coast to coast as well as with smaller organizations that only have a regional presence. We have contracts with single point of purchase through one distributor and contracts with multiple points of purchase using our national network of distributors.

- **We can provide sales, service and installation anywhere in America. No location is too remote.**
- **We have industry's most complete line of dock lifts in both top of ground and recessed units.**
- **We have the shortest lead times in the industry and an excellent record of on-time delivery.**
- **We have the Industry's best warranty.**

Please call Michael Renken at **1-800-843-3625** for more information. Let us help you design a custom contract system that suits your specific company needs.

## ADVANCE DOCK LIFT WARRANTY

For a period of two years from date of shipment from the Company's plant, the Company agrees to replace or repair, free of charge, any defective parts, material or workmanship on new equipment. This shall include electrical and hydraulic components.

For a period of ten years from date of shipment from Company's plant, the Company agrees to replace or repair any defective structure.

Company authorization must be obtained prior to the commencement of any work. The Company reserves the right of choice between effecting repairs in the field or paying all freight charges and effecting the repairs at the Company's plant. The Company further reserves the right of final determination in all warranty considerations. Evidence of overloading, abuse, or field modification of units without Company approval shall void this warranty. No contingent liabilities will be accepted.

Damage incurred in transport is the responsibility of the carrier and is not covered by this warranty. Any damage detected upon receipt of equipment should be immediately reported to the carrier. If you need assistance filing your claim, please contact Advance Lifts.



ISO 9001:2015  
Certified





***Our state of the art 120,000 square foot building houses all operations including sales, design and manufacturing. Our company is ISO 9001 certified and we also have an UL listed panel shop in-house.***

Advance Lifts was founded in 1974 and quickly became the leading dock lift manufacturer in the country. We have maintained that position through innovative design, quick deliveries and superior service. Our modern 120,000 sq. ft. facility in St. Charles, Illinois houses state of the art equipment and is manned by a well trained group of employees who are dedicated to providing our customers outstanding products. Our goal is to make the entire process of buying, installing, using and servicing of our products, as easy and trouble free as possible for our customers.

Part of our service program includes the most complete website in the industry. Our website, [advancedocklifts.com](http://advancedocklifts.com), is available 24/7 and contains interactive product selection aids, photos, operational specifications, architectural specifications, installation drawings, product manuals and a listing of our nationwide distributor network. Therefore, if you have a question, you can get answers by calling a local distributor, calling the factory direct or visiting our website.

***Why it pays to buy from an Advance distributor!***

**Sales** – Advance distributor sales engineers are trained to help you apply the correct equipment to your specific application, thereby saving you time and money and precluding costly misapplications. Because they visit hundreds of facilities each year, they are aware of the latest equipment and techniques to solve your problems.

**Installation** – Advance distributors can install what they sell, which makes your job easier and assures you the job will be done right and the equipment will function to your satisfaction. Their trained technicians have the experience required to meet your installation requirements.

**Service** – When your equipment needs service, your Advance distributor is right there to help. They have trained service personnel to get you up and running as fast as possible, thereby saving on downtime costs.

**Value** – It's very simple. Advance distributors save you money by applying the right equipment to the job, making sure it's installed correctly, and making sure you get service when you need it.

Call the Advance distributor nearest you to insure your project's success.



***DISTRIBUTED BY:***

***w.w.Cannon, Inc.***

***Design. Layout. Build. Install.***

***1-800-442-3061  
www.wwcannon.com***