

AEROTEC FAN



More Than Just a Truck Fan – It's an Air Replacement System

Cools Trailer Better, Faster

- **AeroTec creates a high-velocity column of air that circulates through the entire length of the trailer.**

Whether your application is cooling/warming the loading dock trailer or removing stale air from an export container, AeroTec *really moves air*.

- **AeroTec continually pulls new air in and pushes old air out**, unlike ordinary truck fans that only pressurize the air in the trailer, which does not allow for adequate air exchange.

Reduces Maintenance Costs

- **AeroTec takes up to 75% less space, making it less prone to accidental collisions** than ordinary truck fans that have their entire fan assembly positioned in the door opening.
- **AeroTec's breakaway elbow design eliminates costly fan replacement.** Unlike other truck fans that are mounted on a stiff arm support, AeroTec's elbow can be reattached in a snap if accidentally hit and knocked off, reducing costly repair or replacement.

Safer and Quieter to Operate

- **AeroTec's mechanical components are mounted beyond the heavy traffic area** of the door opening making it safer and quieter to operate, thus reducing noise levels and ensuring that moving parts are out of harms way.



Compared to ordinary truck fans AeroTec™ creates a high-velocity column of air that circulates in and out of the trailer faster, creating a more comfortable work environment.



Breakaway Elbow – Snaps On Quickly

Small Elbow Opening – Takes up to 75% less space than conventional arm-supported blade fans.

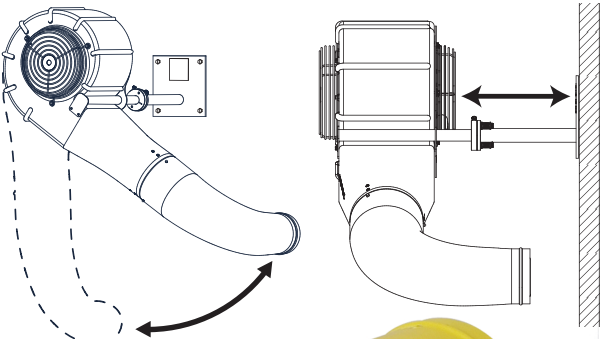
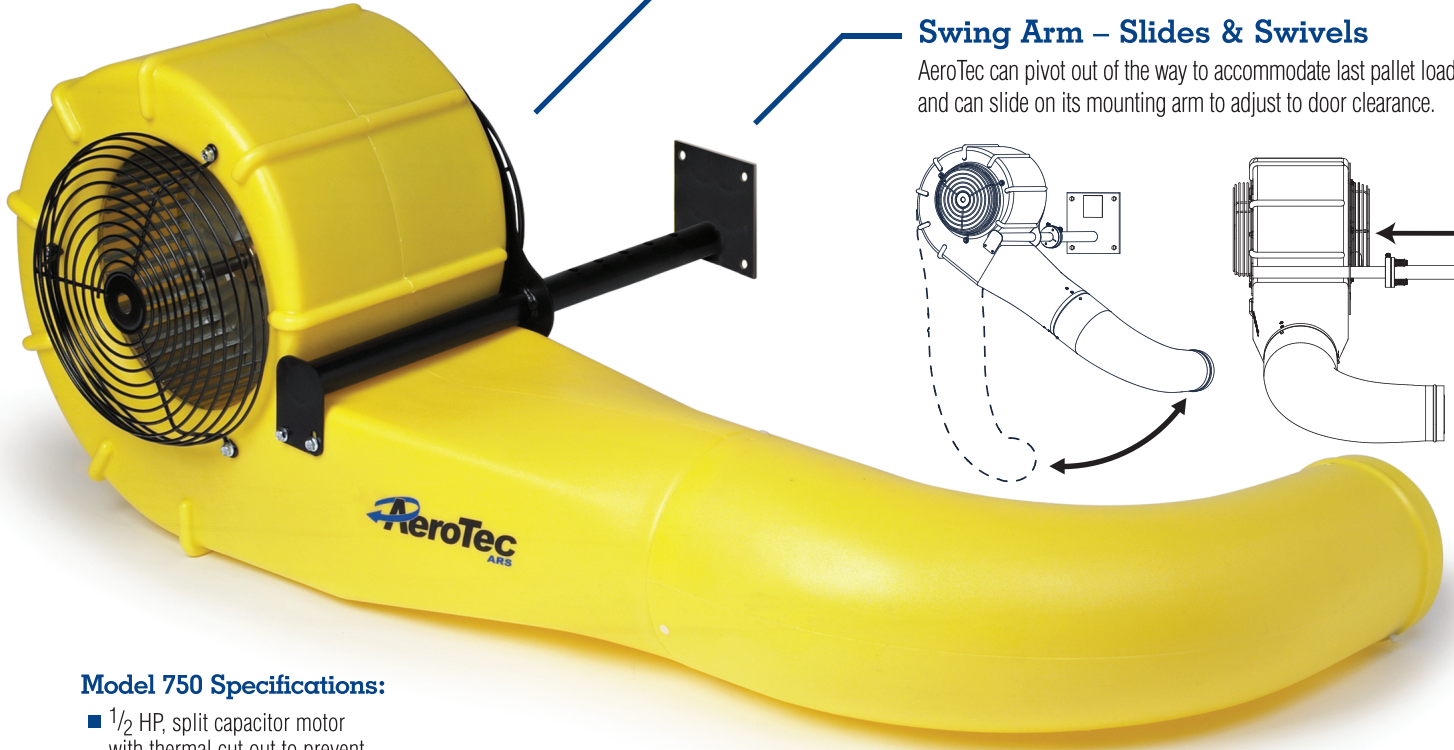


High Velocity Blower

Whether you're looking for higher velocity or lower amperage it is designed to meet your specific needs.

Swing Arm – Slides & Swivels

AeroTec can pivot out of the way to accommodate last pallet load and can slide on its mounting arm to adjust to door clearance.



Model 750 Specifications:

- 1/2 HP, split capacitor motor with thermal cut out to prevent overheating
- 115V/8.8 AMPS
- Includes 8' power cord
- UL Approved

AeroTec Performance Chart

| | FLOW CFM | VELOCITY FT/MN | FAN SPEED RPM | HORSE POWER | CURRENT AMPS |
|-----------------|---------------------|---------------------------|--------------------------|------------------------|-------------------------|
| BG-AT750 | 1200 | 6100 | 1500 | 1/2 | 8.8 |

