



**BLUE GIANT**®

# AIR-POWERED DOCK LEVELER

**LOAD USAGE**  
Up to 26,000 lb  
(11,800 kg)

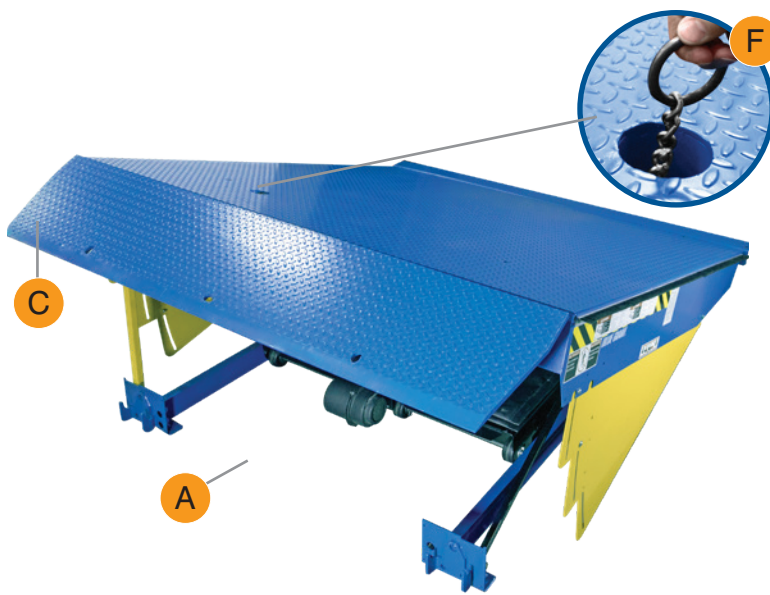
**LOAD CLASS**  
Workhorse  
Heavy  
Super



Designed for demanding applications.  
Delivering maximum efficiency and performance.



E



A



D

A

**Clean Frame Design**

Allows for easy pit cleaning and reduces trapped debris.

B

**One Piece Dock Strut**

Updated design increases stability, reduces engagement time, and lessens the likelihood of improper positioning.

C

**Lip deployment system**

Lip deployment system provides positive powered deployment and automatic release.

D

**Full Operating Range Toe Guards**

Reduce the risk of foot-related injuries at the loading dock.

E

**Blower Motor**

Activates the leveler by delivering air on demand.

F

**Robust Pull Chain**

Allows the retraction of fall-safe legs for below level loading, and reduces stump out.

G

**Mechanical Fall Safe Legs**

Reduces fall distance in the event of premature truck departure.

**OVERVIEW  
+FEATURES**

## EASY TO OPERATE

- Engineered with a focus on usability, the Blue Giant Air-Powered Dock Leveler is simple to activate and requires just one button operation control.
- Deck raises in a smooth, controlled fashion, deploying the lip with continuous upward motion.
- Blower motor inflates a two-stage air bag via high-volume, low-pressure (HVLP).
- After releasing the button, the bag deflates, setting the platform on the trailer bed.
- No manual lifting is required.
- Requires 120V single phase power source.

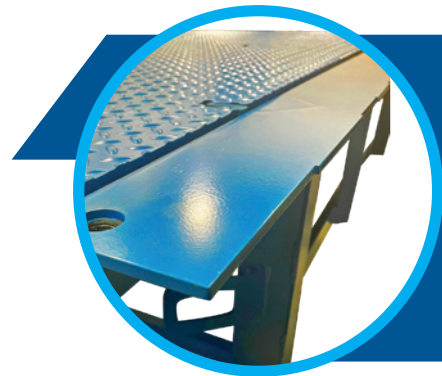


## THE POWER OF AIR

- The air bag can operate in extreme temperature conditions and withstand pressure without overinflating.
- PVC-coated polyester fibers make the bag resistant to chemical or puncture damage.
- The high-volume, low-pressure (HVLP) air lifting system is an environmentally friendly alternative to oil-powered hydraulics.
- Air-Powered performance is activated by a single push button control station, requires no bending or pulling on the part of the operator.
- Equipped with a NEMA4X control station (moisture and corrosion resistant), the Air-Powered Dock Leveler is an ideal solution for special-use facilities, such as clean room facilities and an alternative to hydraulic levelers.

## STRUCTURAL INTEGRITY

- 8-10 enhanced J-beam channels are welded to the underside of the deck at dynamic impact points to prevent distortion and extend the lifetime of the dock leveler.
- All dock options, including 6', 6'-6", and 7', are designed to accommodate both four-wheel and three-wheel forklifts as standard.
- Notched headboard and base frame provide increased stability for service equipment, such as the dock strut and service stand.
- A redesigned lip deployment system provides positive powered deployment and automatic release when lowering on trailer bed or storing in parked position.



## DESIGNED WITH SAFETY IN MIND

- One piece dock strut settles firmly into vertical position, supporting both deck and lip for safe remote under-deck maintenance and pit maintenance.
- In the unlikely event of premature truck departure, mechanical fall-safe legs prevent platform free-fall, minimizing the risk of worker injury and equipment damage.
- Two stage mechanical fall-safe legs eliminate front curb angle damage, preventing costly concrete repairs.
- Stationary side toe guards with high-visibility OSHA safety striping and full operating range metal toe guards reduce the risk of foot-related injuries at the loading dock. Optional anti-slip powder coat reduces the likelihood of slipping on the deck in wet conditions.
- DLB, traffic light system, and truck restraint options can be combined with our Air-Powered Dock Leveler for a fully integrated loading dock safety system.

## DECK FLEX ADVANTAGE

- Ideal for normal loading conditions, the fixed rear hinge design allows the deck to flex up to 4" (102 mm) when under load to ensure full-width contact between the lip and the truck bed.
- The deck remains flush with the floor to eliminate pinch points and cross traffic obstruction.
- High tensile J-beams allow the deck to easily flex side to side while maintaining back to front rigidity without distorting over time.

## INNOVATION AND QUALITY

- A North American industry-first, the Blue Giant Air-Powered Dock Leveler features a powder coat finish as standard, providing unrivaled longevity to finish and color.
- State-of-the-art robotic welding increases structural integrity.
- Plasma cut parts ensure uniform quality.
- Powder coat provides corrosion resistance and increased durability. Environmentally-friendly process uses no solvents, and no or low VOCs. Better, Stronger, Greener.

# DESIGN

## LEVELER SELECTION - LOAD CLASSIFICATION

### TOTAL LOAD

LOAD WEIGHT + VEHICLE WEIGHT

≤ 5MPH

≤ 7% DECK GRADE

### DAILY USAGE

FULL TRUCK (FTL) / CYCLES

FULL TRUCK (FTL)	CYCLES
0-8	0-200
9-16	201-400
17-24	401-600
≥ 24	≥ 600

FULL TRUCK = 24-26 PALLETS

### LOAD CLASS

LOAD + USAGE

WORKHORSE

HEAVY

SUPER

LOAD USAGE

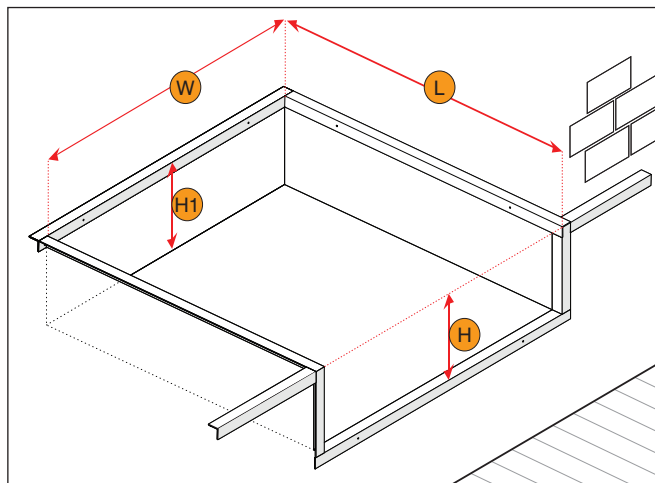
UP TO 26,000 LB

For additional capacities, please contact Blue Giant

## PIT DIMENSIONS

NOMINAL SIZE		PIT WIDTH (W)		PIT LENGTH (L)		
		in	mm	in	mm	
6' x 6'	1829 x 1829mm	74	1880	63	1600	
	6' x 8'			1829 x 2438mm	87	2210
	6' x 10'			1829 x 3048mm	111	2819
6' 6" x 6'	1981 x 1829mm	80	2032	63	1600	
	6' 6" x 8'			1981 x 2438mm	87	2210
	6' 6" x 10'			1981 x 3048mm	111	2819
7' x 6'	2133 x 1829mm	85	2159	63	1600	
	7' x 8'			2133 x 2438mm	87	2210
	7' x 10'			2133 x 3048mm	111	2819

**Standard Pit Depth:**
**Front (H):** 20" (508mm)
**Rear (H1):** 19.5" (495mm)



**Model Number Ordering Format: A - SIZE - CLASS**

**Sample Order:** Air-Powered - 6' x 6' - Workhorse

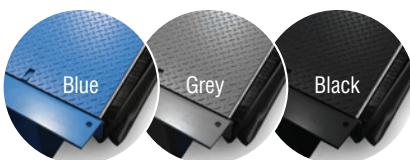
**Sample Model Number:** A6006W

## OPTIONS

- Lip Length 16" (406 mm) Standard
- 18" (457 mm) or 20" (508 mm)
- DLB (Dock Lip Barrier)
- Energy Seal Plus™
- Blue Genius® Touch Control Panel
- Closed Pit Dock Frame
- Grease Fittings on Lip Tube

## FINISH OPTIONS

- Anti-slip powder coat
- Enriched zinc powder coat
- Special colour options



## POWDERCOAT

Complete powder coat system prolongs the life of your dock equipment. This process is proven to be an effective rustproof solution which creates a safer work environment.

AUTHORIZED DEALER

