



BLUE GIANT[®]
AFTERMARKET SOLUTIONS



**Improve safety
and efficiency at the
loading dock**

**The Blue Giant Loading Dock Light
with incandescent bulb is a
cost-effective and long-lasting
investment in dock safety lighting.**

Part # LDL-150: 40" Reach, 115V/60HZ

Light Up the Most Demanding Dock Applications

Create a complete dock lighting package by adding an incandescent bulb (Blue Giant part no. 026-725). Designed for all-weather use, these bulbs are highly resistant to shattering, rain-induced breakage, and splatter from oil and lubricants. Blue Giant dock lighting packages deliver steady and reliable illumination when needed.

Ultra-Durable Construction

The high-impact polycarbonate head will not crack or malfunction due to trailer collision, ensuring continuous illumination and eliminating the need for frequent and expensive repairs. The shock-resistant head weighs 50% less than conventional metal heads and the bulb (not included) is protected by a wire guard.

Engineered for Resilience

Safety yellow powder coating is highly visible and rust-resistant. The twin-axis hinge allows the double-strut swing arm to deflect when struck by vehicles or overhead doors, reducing maintenance costs. The arm is constructed from 14-gauge square steel tubing and extends 40" (1016mm) for stability.

Versatile Application Support

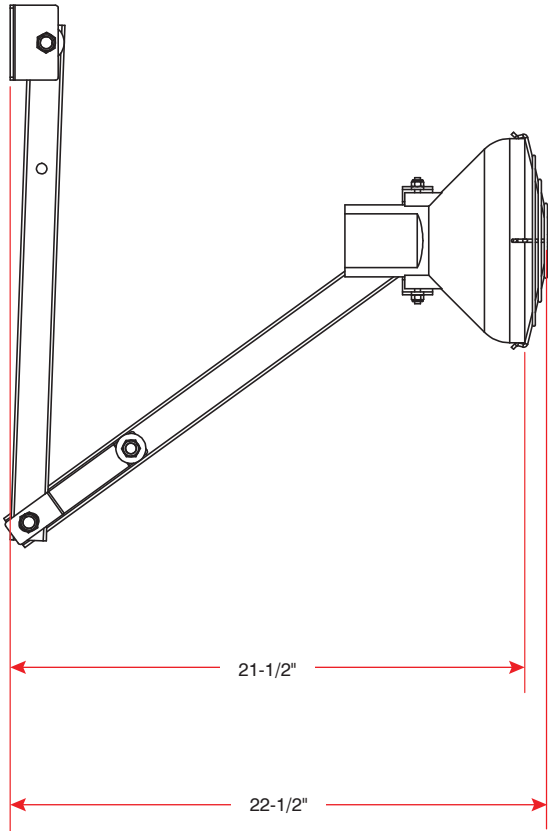
The polycarbonate head does not build up heat and remains cool to the touch even after extended usage, improving worker safety and ensuring compatibility with refrigerated applications. The double-strut arm supports easy positioning and proper light direction for work inside all truck and trailer types.

Loading Dock Light

Loading Dock Light

BLUE GIANT[®]
AFTERMARKET SOLUTIONS

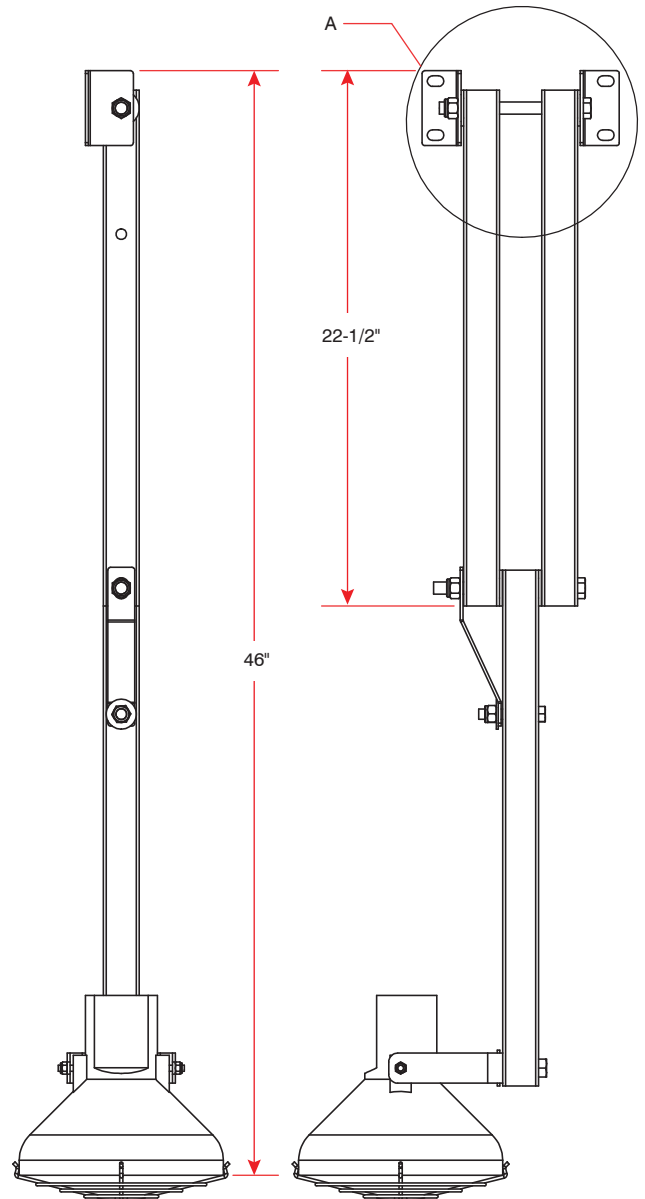
View 1



Polycarbonate Lamp Heads

- Indestructible polycarbonate won't dent, bend or break under normal daily use
- Lightweight and shock resistant for longer service life
- Mounts quickly for easy replacement and retrofitting
- Corrosion resistant and non-conductive
- Wire lamp guard included
- Uses halogen Par 38 / 90 W – part # 026-725 (optional)

View 3



View 2

