



BLUE GIANT[®]

MECHANICAL DOCK LEVELER

LOAD USAGE

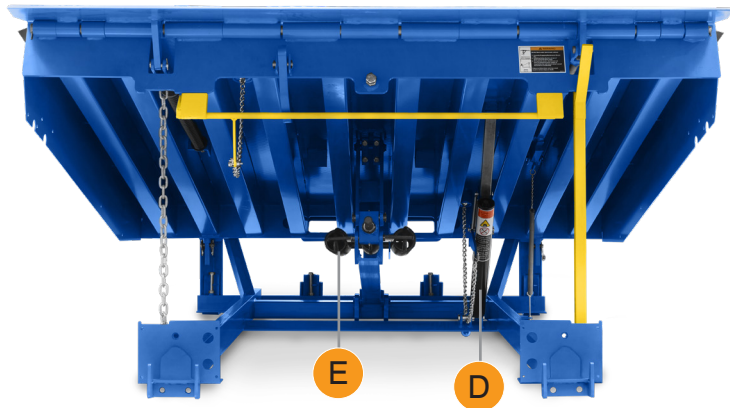
Up to 26,000 lb
(11,800 kg)

LOAD CLASS

Workhorse
Heavy
Super



Designed for demanding applications.
Delivering maximum efficiency and performance.



A
Clean Frame Design
 Allows for easy pit cleaning and reduces trapped debris.

B
One Piece Dock Strut
 Updated design increases stability, reduces engagement time, and lessens the likelihood of improper positioning.

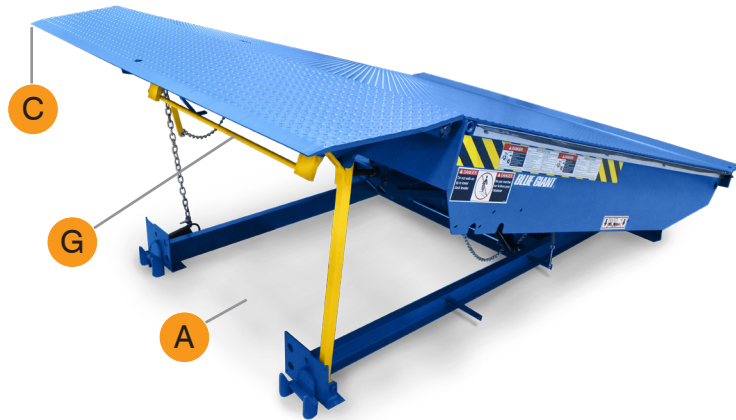
C
Lip
 Lip deployment system increases the operating range and reduces the amount of pull force necessary to deploy.

D
Ratchet Hold-Down Assembly
 Solid locking device with a built in pressure relief system.

E
Heavy-Duty Lift Springs
 High-grade Chrome Silicon springs, backed by an industry-leading warranty.

F
Robust Pull Chain
 Minimal force required to smoothly deploy the deck.

G
Mechanical Fall Safe Legs
 Reduces fall distance in the event of premature truck departure.



OVERVIEW +FEATURES

EASY TO OPERATE

- Engineered with a focus on usability, the Blue Giant Mechanical Dock Leveler is simple to activate and requires less walk down force.
- Deck deploys in a smooth, controlled fashion.
- Crossbow lifting mechanism design requires no initial adjustment.
- Optional: Equip with easy-pull system to further reduce pull force by up to 33%.



POWERFUL HOLD-DOWN SYSTEM

- Ratchet hold-down system offers a secure hold throughout the dock operating range.
- Automatic float compensation and a pressure relief system prevent tension overload. This allows the dock to dynamically adjust to changes in trailer bed height.
- A robust welded pull chain ring drastically decreases the likelihood of link distortion.
- Cadmium-plated ratchet is corrosion-resistant, supporting system longevity.
- Features eight heavy-duty Cadmium-plated teeth that are wider and deeper than the competition, resulting in a superior grip.

STRUCTURAL INTEGRITY

- 8-10 enhanced J-beam channels are welded to the underside of the deck at dynamic impact points to prevent distortion and extend the lifetime of the dock leveler.
- The 7' dock features just 6" (152mm) of space between beams at the center, making the dock suitable for 4 or 3 wheel forklifts as standard.
- Notched headboard and base frame provide increased stability for service equipment, such as the dock strut and service stand.
- A redesigned lip deployment system requires minimal initial adjustments and features an increased operating range.



DESIGNED WITH SAFETY IN MIND

- One piece dock strut settles firmly into vertical position, supporting both deck and lip for safe remote under-deck maintenance and pit maintenance.
- If a truck leaves the dock unexpectedly or slides free from the lip plate, mechanical fall-safe legs prevent platform free-fall, minimizing the risk of worker injury and equipment damage.
- Two stage mechanical fall-safe legs eliminate front curb angle damage, preventing costly concrete repairs.

DECK FLEX ADVANTAGE

- Ideal for normal loading conditions, the fixed rear hinge design allows the deck to flex up to 4" (102 mm) when under load to ensure full-width contact between the lip and the truck bed.
- The deck remains flush with the floor to eliminate pinch points and cross traffic obstruction.
- High tensile J-beams allow the deck to easily flex side to side while maintaining back to front rigidity without distorting over time.

INNOVATION AND QUALITY

- A North American industry-first, the Blue Giant Mechanical Dock Leveler features a powder coat finish as standard, providing unrivaled longevity to finish and color.
- State-of-the-art robotic welding increases structural integrity.
- Plasma cut parts ensure uniform quality.

DESIGN

LEVELER SELECTION - LOAD CLASSIFICATION

TOTAL LOAD

LOAD WEIGHT + VEHICLE WEIGHT

≤
5MPH

≤
7%
DECK
GRADE

DAILY USAGE

FULL TRUCK (FTL) / CYCLES

FULL TRUCK (FTL)	CYCLES
0-8	0-200
9-16	201-400
17-24	401-600
≥ 24	≥ 600

FULL TRUCK = 24-26 PALLETS

LOAD CLASS

LOAD + USAGE

WORKHORSE

HEAVY

SUPER

EXTREME

ULTRA

LOAD USAGE

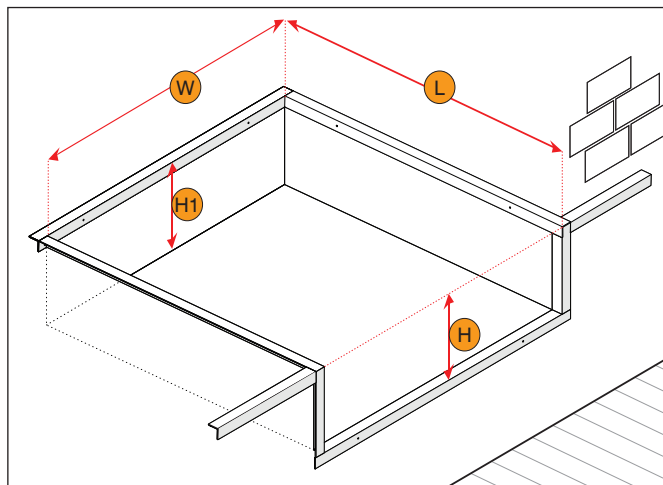
MAX 40,000 LB

To determine your optimal loading dock solution, contact a Blue Giant sales representative with your total load and daily usage data.

PIT DIMENSIONS

NOMINAL SIZE		PIT WIDTH (W)		PIT LENGTH (L)		
		in	mm	in	mm	
6' x 6'	1829 x 1829mm	74	1880	63	1600	
	6' x 8'			1829 x 2438mm	87	2210
	6' x 10'			1829 x 3048mm	111	2819
6' 6" x 6'	1981 x 1829mm	80	2032	63	1600	
	6' 6" x 8'			1981 x 2438mm	87	2210
	6' 6" x 10'			1981 x 3048mm	111	2819
7' x 6'	2133 x 1829mm	85	2159	63	1600	
	7' x 8'			2133 x 2438mm	87	2210
	7' x 10'			2133 x 3048mm	111	2819

Standard Pit Depth: **Front (H):** 20" (508mm) **Rear (H1):** 19.5" (495mm)



OPTIONS

- Lip Length 16" (406 mm) Standard
- 18" (457 mm) or 20" (508 mm)
- No-Shim™ dock frame
- Side and Rear Weather Seal
- EasyPull™
- Full Range Toe Guards
- Closed Pit Dock Frame
- Grease Fittings on Lip Tube

Model Number Ordering Format: M - SIZE - CLASS

Sample Order: Mechanical - 6' x 6' - Workhorse

Sample Model Number: M6006W

COLOUR OPTIONS

