



TURBO FAN

Blowing away the competition

Try the latest technology in turbo fans.

The Turbo fan is the most efficient way to keep your employees cool and improve productivity. Aerodynamic counter-rotation vanes create a smooth straight air stream, second to none.

- Durable plastic housing
- Easy to install
- Adjustable for different door styles & sizes

Mounting options available for any warehouse application:

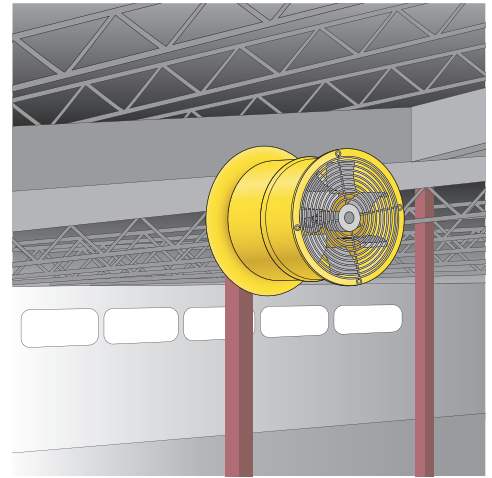
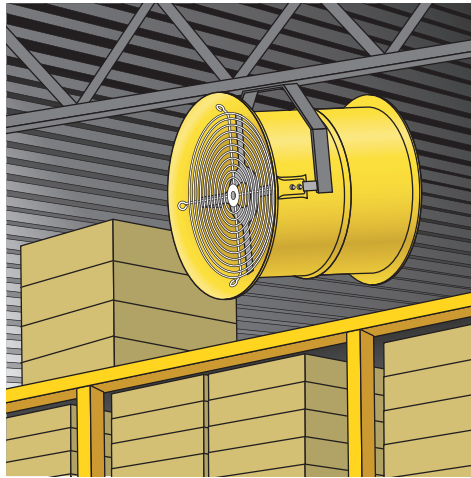
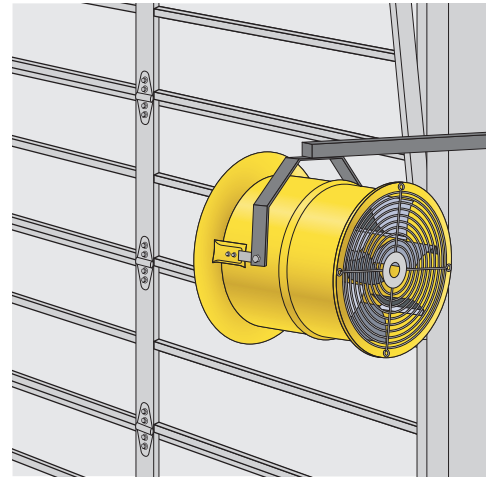
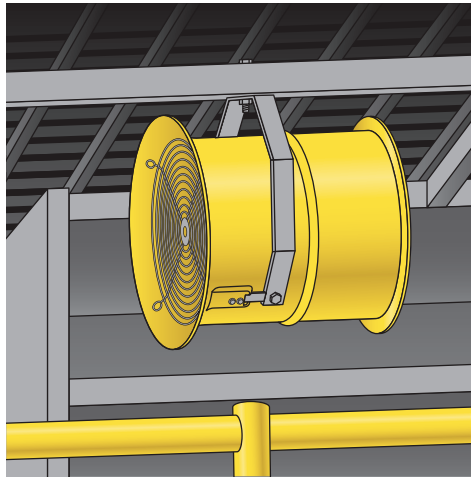
- Door Swing Arm
- Ceiling Mounting Bracket
- Ceiling Mount and Chain
- Rack Mount
- Corner Rack Mount
- Pick Module Mount
- Stand Alone



Optional
LED
Dock Light

Model Specifications –

- Available in 460V, 277V, 220V and 120V
- Product Dimensions: D 20" x L 18.625"
- Fan blade length: 15"
- Product Weight: 35 lbs.
- CFM: 2800
- Air throw Distance: 100+ feet
- ½ HP, split capacitor motor
- Finger guard meets OSHA standards
- Housing made from molded Polyethylene plastic



Check out our other ventilation options



AeroTec Fan



Bug Screen Doors



Air Curtains

AUTHORIZED DEALER

