

Pedestrian Barrier Gate - Models PBG

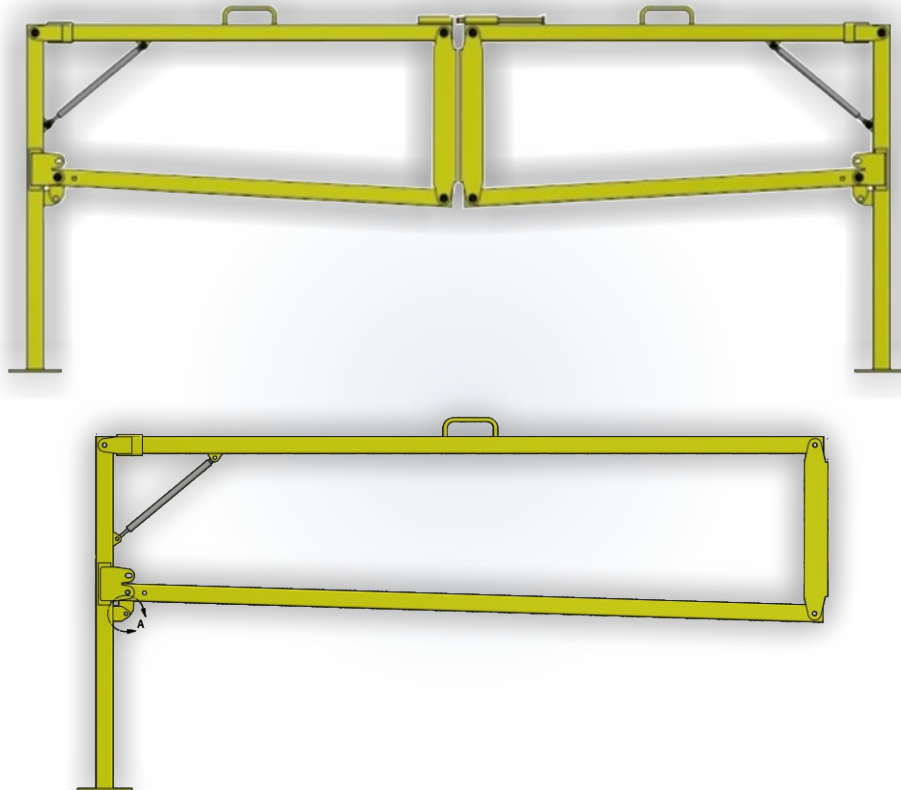
*Prevent personnel from a dangerous drop
through the dock door opening*



BLUFF
AN INTEGRATED WAREHOUSE SOLUTIONS BRAND

Product Overview

Safety Products



BLUFF
AN INTEGRATED WAREHOUSE SOLUTIONS BRAND

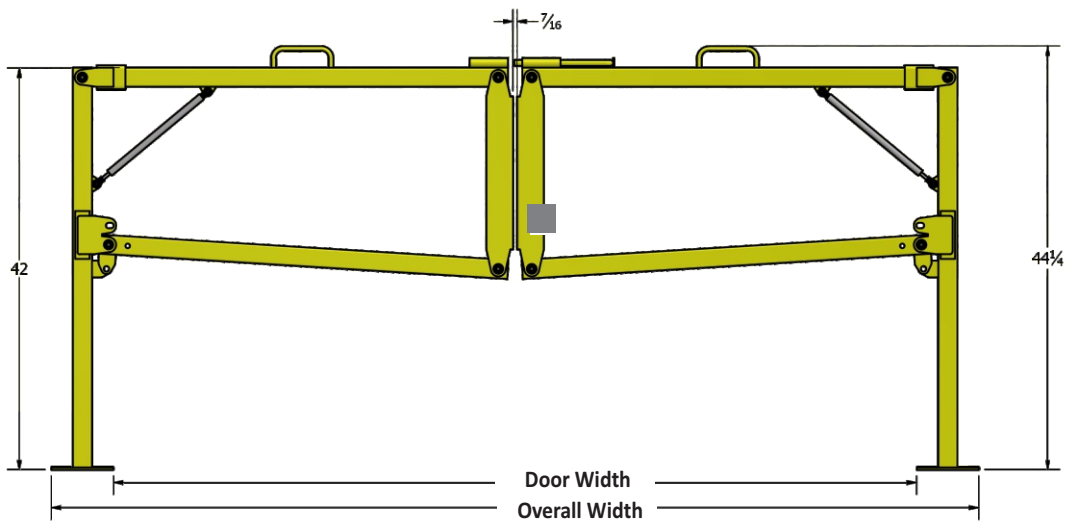
Innovative Products
Fast Lead Times

Features

- Meets OSHA 19 CFR 26 guidelines for fall protection at the loading dock
- Standard models are 42" tall
- Designed for door widths of 8' to 12'
- Powder coated safety yellow for high visibility
- Made in the U.S.A.
- Locks in up position
- Assembly hardware included, excluding floor anchors
- Not rated for forklift impact
- Optional anchor kit available for purchase



Double Gate



Single Gate

