



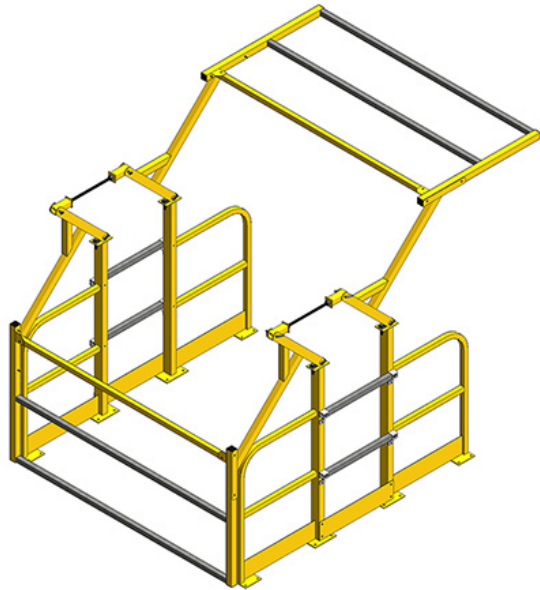
Cogan
Since 1901



Mezzanines
Increase Floor Space

cogan.com

GATES



SAFETY PIVOT GATE

Description

Cogan's patent-pending safety pivot gate is your safest bet for a busy loading zone. Specially designed pivot arms allow the gate to be opened on one side while closed on the other, protecting your employees from dangerous fall accidents. Need is fast? All standard safety pivot gates are in stock and ready to ship.

w.w.Cannon, Inc.

Design. Layout. Build. Install.

1-800-442-3061
www.wwcannon.com

PRODUCT INFORMATION

Specifications

Gate Width	5'-0", 6'-0", 7'-0", up to 13'-0"
Type of Gate	Safety Pivot
Finish	Powder-coated - Main Assembly
	Galvanized - Handrails and 2 Lower Gate Rails
Top Rail Sizes	1 1/2" x 1 1/2", 2" x 2" or 2" x 4"
Frame Material	Hollow Structural Tubing

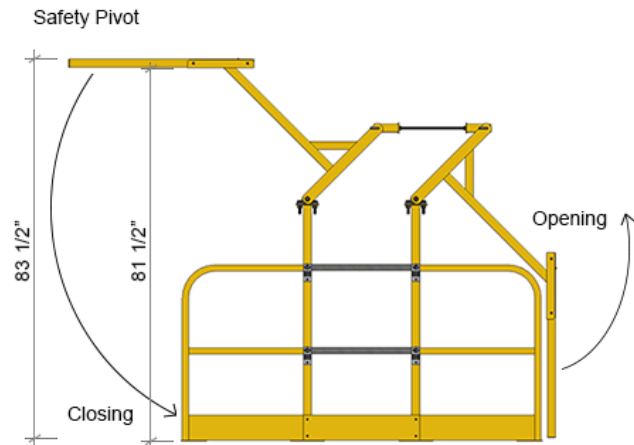
COLORS



Safety Yellow

Electro-Galvanized
(Handrails and 2 Lower
Gate Rails)

ORIENTATION OF GATE OPENING





Cogan[®]
Since 1901



Mezzanines
Increase Floor Space

cogan.com

GATES

DETAILS

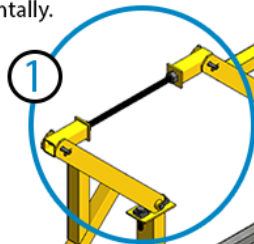
Choose between twelve standard sizes to best suit your needs. All standard Cogan gates are sealed in a powder-coated safety yellow paint finish for maximum visibility.

THE 3 REASONS WHY OUR GATES ARE THE BEST IN THE INDUSTRY

1

4 - POINT PIVOT

Specially engineered 4-point pivot design transfers vertical movement horizontally.



2

ADJUSTABILITY

The middle section is independent from the main gate pivot component, allowing you the flexibility of depth increase/decrease without the need of buying a new gate.

2

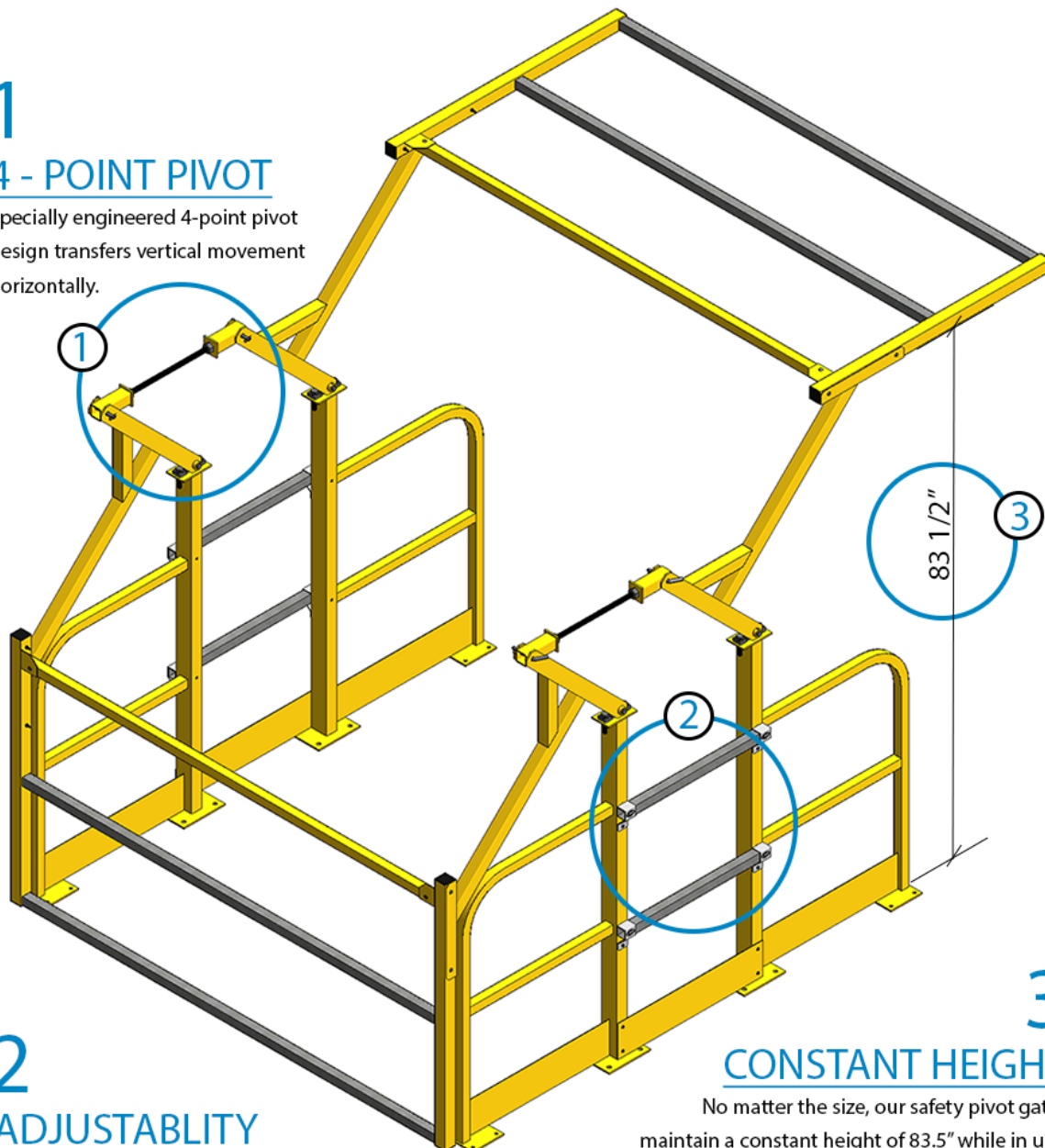
3

CONSTANT HEIGHT

No matter the size, our safety pivot gates maintain a constant height of 83.5" while in use. Unlike single-hinge models, which extend vertically as the gate size increases, Cogan safety pivot gates work easily in confined spaces. Your gate will never bump up against a low-ceiling or the upper deck of a multi-level mezzanine.

83 1/2"

3



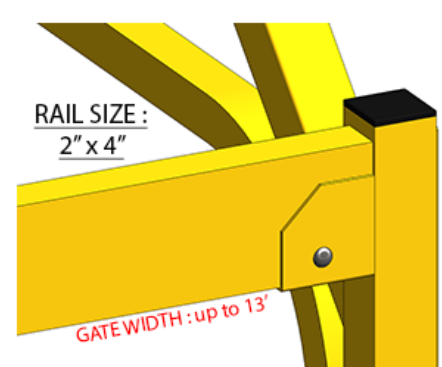
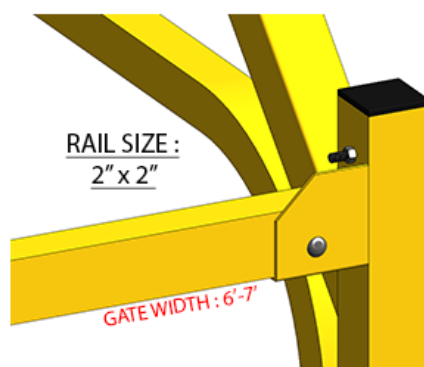
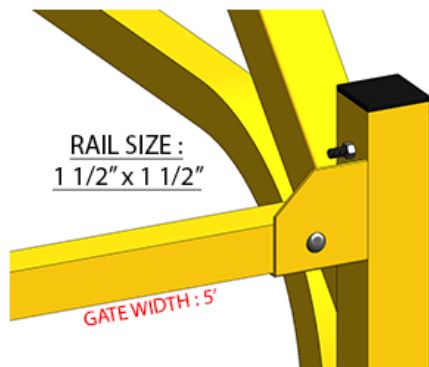


SIZES

Each gate includes a powder-coated safety yellow top rail for high visibility and easy manipulation. The top rail tube dimension varies based on the gate width.

STANDARD SIZES

Description	Drop Area (W' x D')	ITEM#	Description	Drop Area (W' x D')	ITEM#	Description	Drop Area (W' x D')	ITEM#
Rail Size: 1 1/2" x 1 1/2"	5' x 5'	MG55	Rail Size: 2" x 4"	8' x 5'	MG85	Rail Size: 2" x 4"	11' x 5'	MGPG115
Rail Size: 1 1/2" x 1 1/2"	5' x 6'	MG55	Rail Size: 2" x 4"	8' x 6'	MG86	Rail Size: 2" x 4"	11' x 6'	MGPG116
Rail Size: 1 1/2" x 1 1/2"	5' x 7'	MG55	Rail Size: 2" x 4"	8' x 7'	MG87	Rail Size: 2" x 4"	11' x 7'	MGPG117
Rail Size: 1 1/2" x 1 1/2"	5' x 8'	MG55	Rail Size: 2" x 4"	8' x 8'	MG88	Rail Size: 2" x 4"	11' x 8'	MGPG118
Rail Size: 2" x 2"	6' x 5'	MG65	Rail Size: 2" x 4"	9' x 5'	MG95	Rail Size: 2" x 4"	12' x 5'	MGPG125
Rail Size: 2" x 2"	6' x 6'	MG66	Rail Size: 2" x 4"	9' x 6'	MG96	Rail Size: 2" x 4"	12' x 6'	MGPG125
Rail Size: 2" x 2"	6' x 7'	MG67	Rail Size: 2" x 4"	9' x 7'	MG97	Rail Size: 2" x 4"	12' x 7'	MGPG127
Rail Size: 2" x 2"	6' x 8'	MG68	Rail Size: 2" x 4"	9' x 8'	MG98	Rail Size: 2" x 4"	12' x 8'	MGPG128
Rail Size: 2" x 2"	7' x 5'	MG75	Rail Size: 2" x 4"	10' x 5'	MG105	Rail Size: 2" x 4"	13' x 5'	MGPG135
Rail Size: 2" x 2"	7' x 6'	MG76	Rail Size: 2" x 4"	10' x 6'	MG106	Rail Size: 2" x 4"	13' x 6'	MGPG136
Rail Size: 2" x 2"	7' x 7'	MG77	Rail Size: 2" x 4"	10' x 7'	MG107	Rail Size: 2" x 4"	13' x 7'	MGPG137
Rail Size: 2" x 2"	7' x 8'	MG78	Rail Size: 2" x 4"	10' x 8'	MG108	Rail Size: 2" x 4"	13' x 8'	MGPG138



** CUSTOM SIZES ARE ALSO AVAILABLE

