



Molded Dock Bumpers

Material/Thickness

- Manufactured from fiber reinforced prime rubber containing nylon and polyester.
- Comes in models varying in thickness from 2" to 6".
- All bumpers have impact recovery (ASTM 1170) of 95% with a durometer reading of 80 plus or minus 5.
- Tensile strength: 950-1505 PSI.
- All models have pre-drilled, countersunk mounting holes for easy installation, and are drilled to accept 3/4" anchor bolts.

Installation

- Installation is easy—3/4" anchor bolts are mounted through pre-drilled holes into dock.

Specifications

- Furnish and install molded dock bumpers as manufactured by Durable Corporation, Norwalk, Ohio. Model No(s) _____. Molded in one piece of all new nylon and new polyester reinforced rubber.
- Bumper to have a durometer reading of 80 plus or minus 5, tensile strength of 950-1050 PSI, and an impact recovery (ASTM 1170) of 95%.

Uses/Applications

- Perfect protection for any low traffic truck dock.
- In-plant wall protection from forklifts and other material handling vehicles.

Features

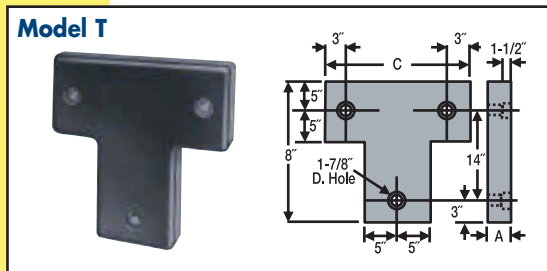
- Makes for a clean, neat, attractive dock area.
- Molded in one piece.
- Will not warp, rust, rot or harden.
- Compact size.
- Spectra-Shield Dock Bumper face constructed of Ultra High Molecular

Weight (UHMW) polyethylene recessed into reinforced molded rubber. Call for information and specifications.

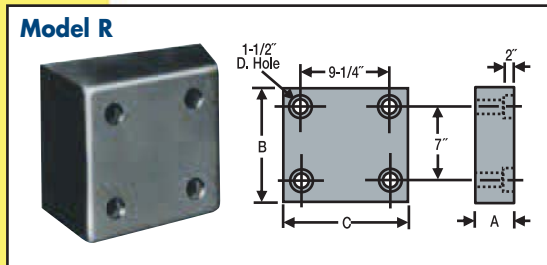
Benefits

- Unique design and construction achieves high impact resistance and long life.
- Immune to all weather conditions.
- Maintenance-free.
- Offers the correct amount of resiliency to absorb pressure and impact shock without damage to truck or dock.
- One year warranty

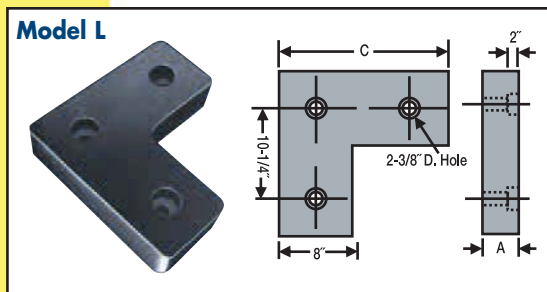
Model T



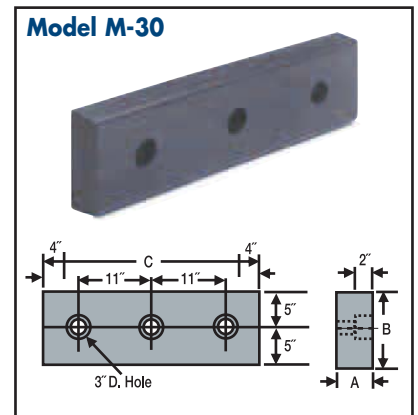
Model R



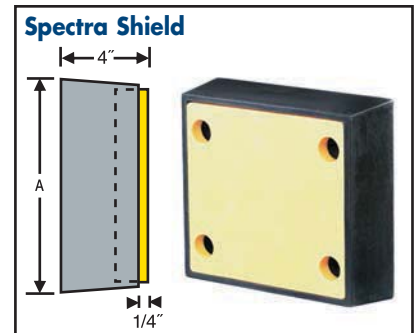
Model L



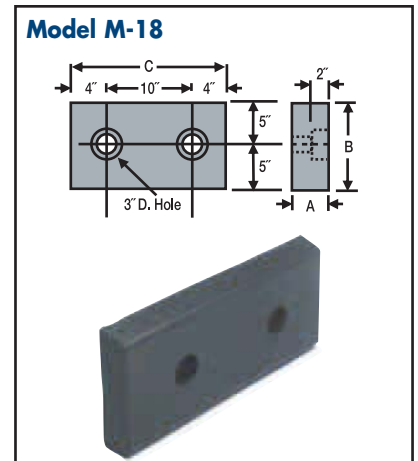
Model M-30



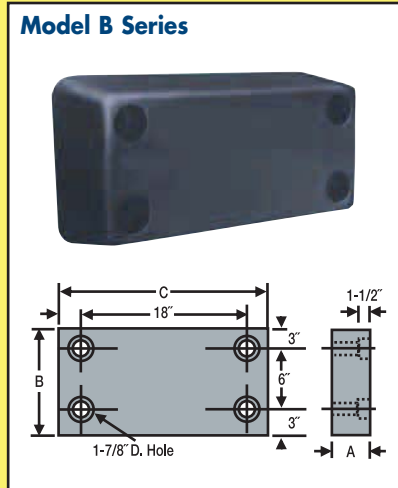
Spectra Shield



Model M-18



Model B Series



Model	A Thickness	B Height	C Width	Bolt Size	No. of Bolts	Wt. lbs.
T	3"	22"	22"	3/4" x 4"	3	35
L	4"	18"	18"	3/4" x 6"	3	33
R	4"	12"	13"	3/4" x 6"	4	23
M-18	4"	10"	18"	3/4" x 6"	2	27
Spectra Shield SS1213	4"	13"	12"	3/4" x 6"	4	24
B	3"	12"	24"	3/4" x 4"	4	29
BB	4"	12"	24"	3/4" x 6"	4	38
BBB*	6"	12"	24"	3/4" x 6"	4	67
M-30	4"	10"	30"	3/4" x 6"	3	43