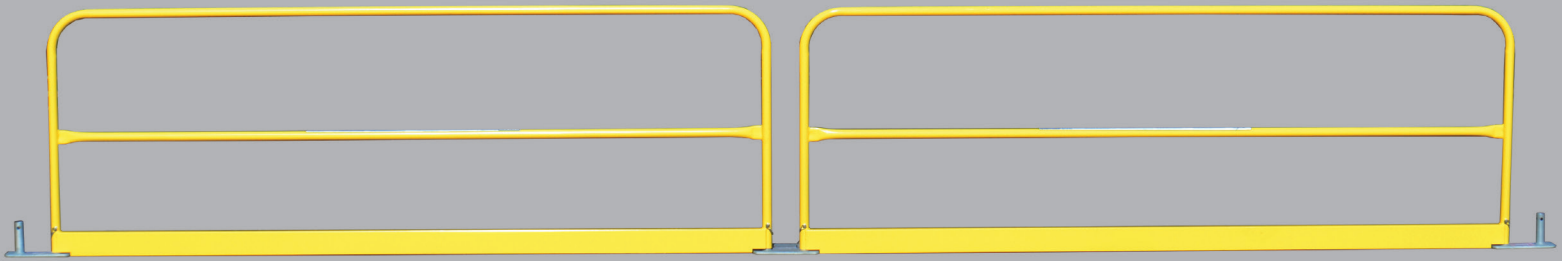


RailGuard GC™

General Construction Safety Railings

Meets OSHA Requirements

1910.29(b) and 1926.502(b)



Designed specifically for the general construction industry for rugged durability and ease of installation. An OSHA compliant passive fall protection solution for the construction of high-rises, elevator shafts, and other fall hazards existing during construction.

Rugged Durability:

16 gauge, 1 5/8" diameter welded Rail sections in 10', 8' and 5' lengths. Powder coated high visibility yellow for long life. Field proven design for more than 30 years with thousands of customers.

Easy Installation:

Only one anchor per base. Simply install the anchor, bolt down the base, place the rail over the post on the base and pin in place.

Integrated Toe-board:

Assure OSHA compliance every time and reduce repetitive job site cost by eliminating 2 x 4 toe-boards. Each RailGuard GC™ rail section includes a welded steel toe-board so there is NO chance someone forgets to install it.



Dual Base

Why Choose Garlock Safety Systems™?

- Rigorously Tested to Exceed OSHA & ANSI Standards
- Full Passive Fall Prevention Portfolio
- In-House Engineering
- Custom Engineered Products Available

Specifications

Baseplates:

Dual mount baseplate
L=11" W = 4.5" H= 5.63"
Weight = 6.5lbs.

Rail Sections:

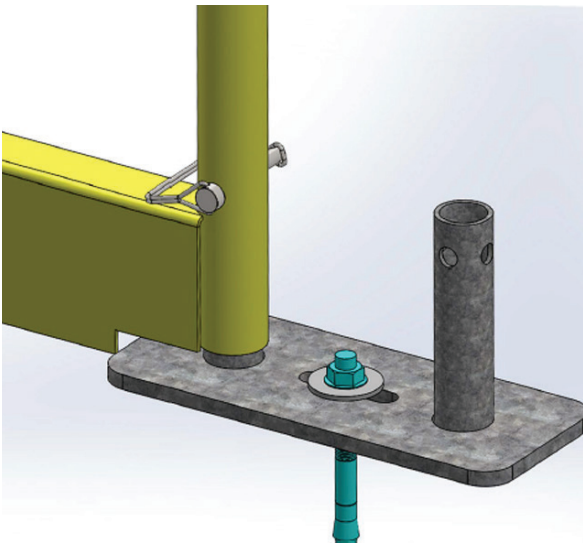
Top Rail Height = 42" tall
Mid-Rail Height = 20" tall

Three standard lengths: 10', 8', 5'
Standard rail section 16 ga. welded steel

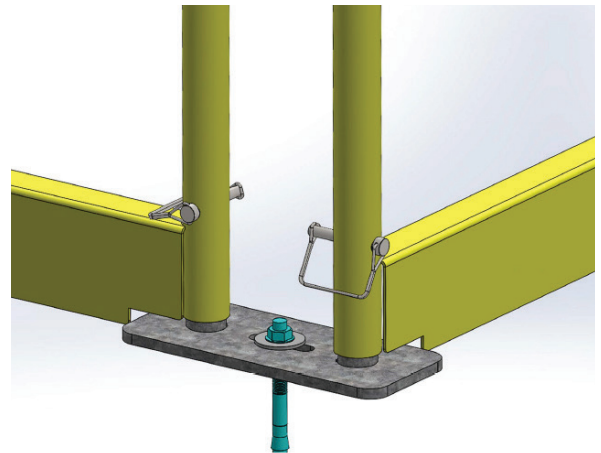
Toe-Board: welded steel Integrated

RailGuard 200™ has been deemed OSHA compliant by an independent certified safety engineering firm. Test results available upon request.

RailGuard GC™ Mounting Examples



End Using Dual Base



Corner Using Dual Base