

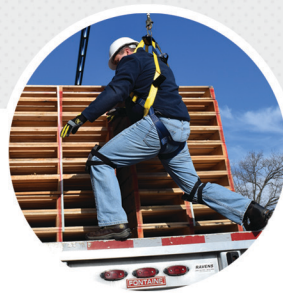
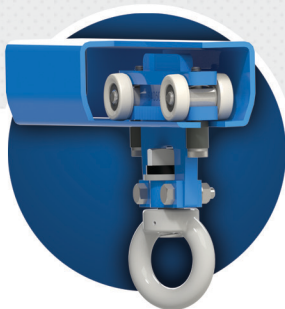
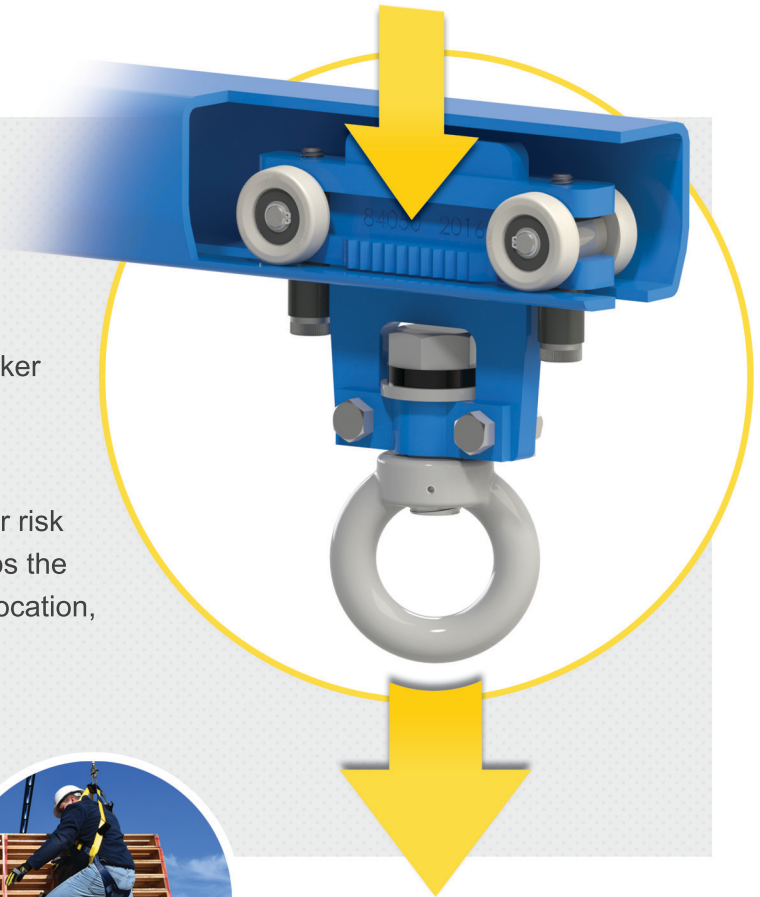
RECOVER TROLLEY™

It's not enough to protect workers from a fall...
what happens after a fall is
just as critical.

Less Risk, Fast Recovery

Gorbel's new Recover Trolley™ provides safe fall arrest and recovery. Traditional trolleys enable unrestricted horizontal momentum, drifting the worker away from the fall surface. The worker is limited in their ability to recover unassisted.

If the worker has to wait for rescue, there is greater risk for suspension trauma. Our Recover Trolley™ stops the worker after a fall, keeping them closer to the fall location, increasing their chance of self-recovery.



Recover Trolley™ Operation:

The trolley is designed to use the force of the fall, in combination with the worker's weight, to allow the rigid trolley body to contact the surface of the track directly. This "trolley-to-track" contact inhibits horizontal motion along the track. Once motion is prohibited, the worker can recover to the surface where they fell.

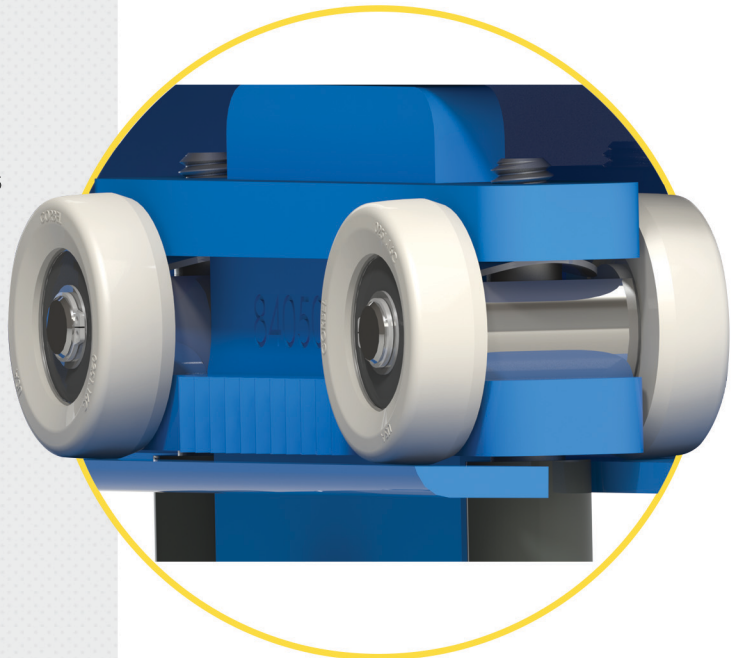
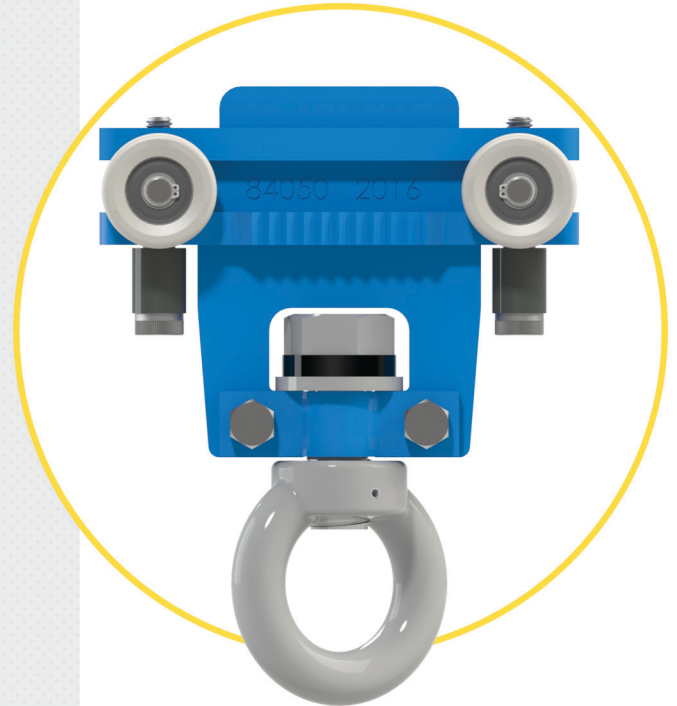
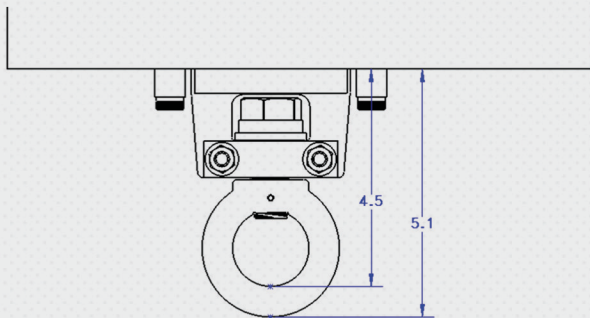
RECOVER TROLLEY™

PRODUCT HIGHLIGHTS

- Robust steel construction
- Stainless and galvanized components for weather resistance
- Easy rolling, sealed bearing wheels track the workers' position
- Meets latest ANSI requirements
- Made in the USA

SPECIFICATIONS

- Weight: 4 lbs
- Maximum Capacity: 310 lbs
- Compatible with all Tether Track Systems:
Steel 500 & 1000 lbs, Aluminum 250 & 500 lbs
- Max SRL Weight: 40 lbs



Learn More:
www.gorbel.com/recoverrolley