

GORBEL[®]
A CLASS ABOVE

The leader in crane technology
and ergonomic lifting



THE SMARTER WAY TO LIFT: G-FORCE[®] & EASY ARM[®]

101001 011010
001101 010011
010010 000100



ELECTRIC SERVO POWERED INTELLIGENT LIFTING DEVICES

INTELLIGENT

LIFTING

TECHNOLOGY

Does your lifting application require a little more than traditional lifting devices can offer? When speed, precision, and programmability matter—choose Gorbel®'s G-Force® and Easy Arm®.

Gorbel®'s G-Force® and Easy Arm® Intelligent Lifting Devices use exclusive patented technology and an industrial processor controlled servo drive system to deliver unmatched lifting precision and speed. Their fusion of advanced technology and basic human guidance maximize your productivity while minimizing the risk of injury to your operators. Choose our G-Force® unit to mount to a bridge crane, or go with our Easy Arm®, which integrates the same lifting technology into an articulating jib design. Both configurations are available in two models so you can choose the level of features and customization that makes sense for your applications.

GORBEL
A CLASS ABOVE

Since 1977, Gorbel has specialized in overhead material handling solutions, providing the highest quality and the highest performance. We are the leading supplier of Work Station Crane systems, offering near perfect on-time delivery, a focus on customer service, and the industry's best warranty.

You'll find that same level of quality in our G-Force® and Easy Arm® Intelligent Lifting Devices. These innovative units enable operators to lift and maneuver naturally, as if the devices were an extension of their arms. Our Q2 and iQ2 model Intelligent Lifting Devices will help improve productivity, reduce the cost of product damage, and minimize work-related injuries.



ANTI-RECOIL TECHNOLOGY

This prevents the G-Force® and Easy Arm® units from moving or recoiling when there is a sudden change in load, reducing the risk of potentially serious injury.

FLOAT MODE

The G-Force® and Easy Arm® units offer our versatile Float Mode. With as little as 1/2lb (227 g) of force on the load itself, operators can precisely orient loads throughout the full stroke range by manipulating the load with their hands.

POWER LOSS PROTECTION

A fail safe load braking system locks the unit in place in the event of a power loss.

BLAZING SPEEDS

With G-Force® speeds reaching 200 fpm (61 mpm) and Easy Arm® speeds reaching 180 fpm (55 mpm), these devices travel up to 4 times faster than traditional high-end lifting devices currently on the market, making them the fastest, most precise lifting devices on the planet.

OPERATOR PRESENT DETECTION

Each of our seven handle configurations has Operator Present Detection that doesn't allow the unit to move unless the operator initiates the movement.

CAPACITY OVERLOAD

The units have a factory setting that prevents them from lifting a load if it exceeds their capacity. There's also a setting that users can electronically set within the menu if a smaller capacity overload limit is desired.

THE SAFE ALTERNATIVE

Operators want to use our G-Force® technology because it's easy to learn and easy to use. Our Intelligent Lifting Devices are safer than manual lifting and dramatically reduce worker injury cost.

INFINITE SPEED CONTROL

Gorbel's Intelligent Lifting Devices move with the operator. They move as fast or as slow as the operator chooses to move. They are ideal for applications that require high speed at some points in the cycle and slow, precise movements at other points.

PINPOINT PRECISION

Our Intelligent Lifting Devices deliver unparalleled precision with speeds of less than 1 fpm (0.3 mpm). This gives the operator the control necessary to finesse expensive or fragile parts.

CUTTING EDGE CONTROL TECHNOLOGY

G-Force® now uses the latest processor to offer you the most advanced features in the intelligent lifting market. Our cutting edge units are available in two models – our base model, the Q2, loaded with intelligence features for most applications, and our enhanced model, the iQ2, which offers even more configuration options with electrical control Input/Output (I/O) points at the handle and in the actuator.

- Updated computer based user interface makes configuration a breeze.
- More customizable handle-based I/O options mean the lower priced Q2 model can handle a wider range of simple applications.
- User configurable I/O on the iQ2 model means less need for potentially costly custom programming.
- Built-in wireless connectivity via WiFi, along with wired functionality, so you no longer have to plug in a cable for servicing, troubleshooting, or diagnostics.
- Handle and visualization interfaces are now available in 6 languages — English, French, German, Italian, Mandarin, and Spanish.



www.gorbel.com
800.821.0086



TOUCHSCREEN

Standard Features	Q2	iQ2
Anti-recoil technology	X	X
Infinite speed control	X	X
Power loss protection	X	X
Blazing speeds up to 200 fpm	X	X
Operator present detection	X	X
Capacity overload	X	X
Float mode	X	X
Pinpoint precision	X	X
User settable load limiting	X	X
G360 collector and air swivel	X	X
OLED display	X	X
Multiple language capabilities and on-screen handle display	X	X
Seven different handle configurations	X	X
Menu setting lock out feature	X	X
User settable maintenance alerts	X	X
Fault code history log	X	X
G-Link Smart Connect IoT connectivity enabled	X	X
Virtual limits	3 sets	Multiple sets
24 volt DC power available at handle	X	X
User configurable Inputs and Outputs on the handle	2 Inputs 2 Outputs	8 points that can be configured as Inputs or Outputs*
User configurable Inputs and Outputs at the actuator	None	8 Inputs 4 Outputs
Tablet or PC based wireless user interface w/I/O + Custom Logic Configurator	Basic	Advanced
Anti-drop functionality for tooling control	X	X
Auto-home	X	X

*with optional expansion I/O block





G-FORCE



G-FORCE® Q2 AND iQ2 BRIDGE CRANE MOUNTED INTELLIGENT LIFTING DEVICE

When precision, lifting power and speed are necessities, turn to Gorbels patented G-Force® Intelligent Lifting Device. More precise than hoists, more responsive than air balancers, our bridge crane mounted G-Force® units improve safety, productivity and quality, resulting in a direct increase to your bottom line.

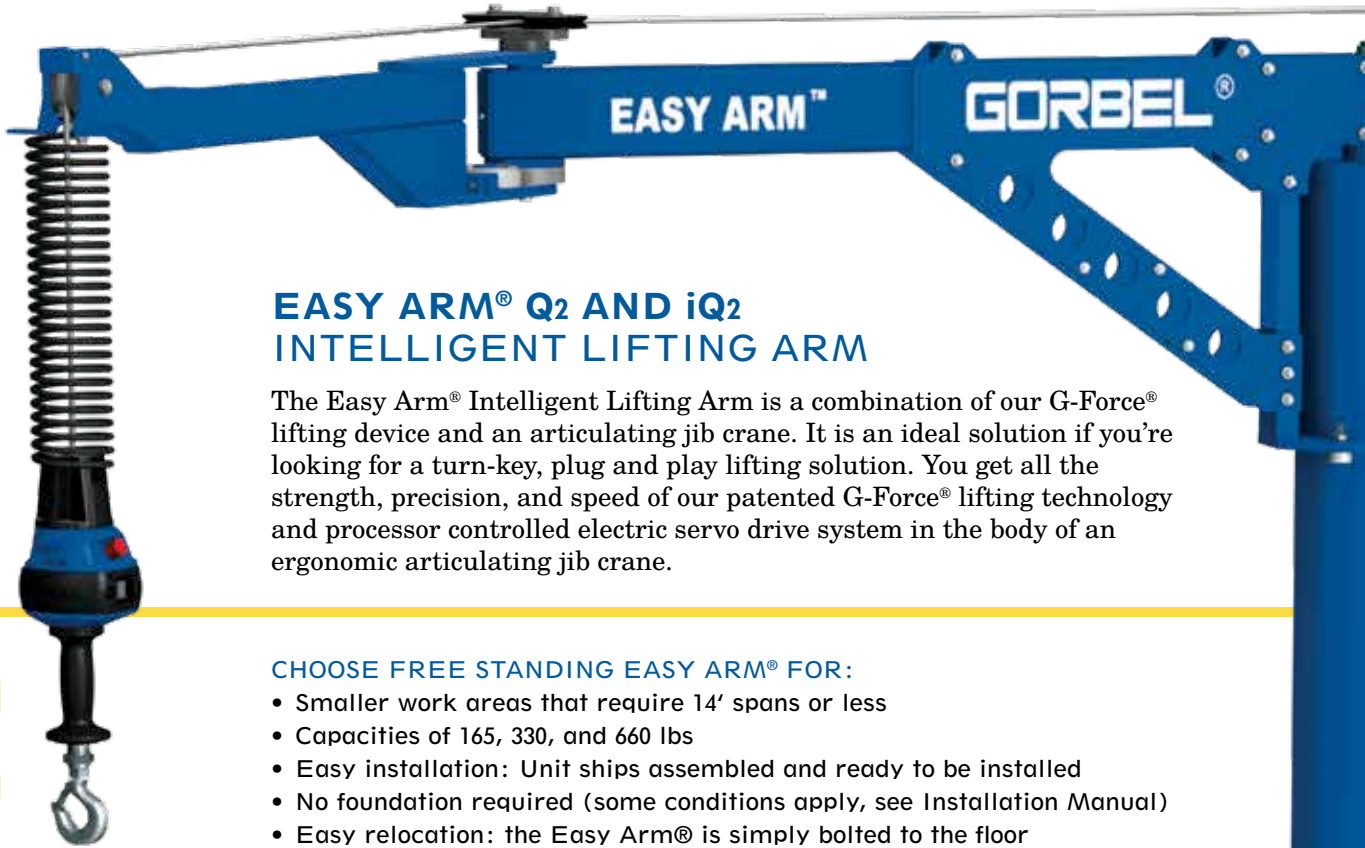
CHOOSE A BRIDGE MOUNTED CRANE CONFIGURATION FOR:

- Higher capacities: available in 165, 330, 660, and 1320 lb capacities
- Faster speeds: maximum speeds up to 200 fpm
- More responsive performance: faster acceleration and deceleration
- Covering multiple work cells with one G-Force®

APPLICATIONS:

- Automotive assembly (engines, transmissions, chassis components)
- Heavy equipment manufacturing
- Tool & die changeouts
- Natural gas & oil industry (valves, drilling components, etc)
- Repetitive lifting jobs
- Parts assembly
- Machining
- Process equipment maintenance
- Covering larger single work areas

EASY ARM



EASY ARM® Q2 AND iQ2 INTELLIGENT LIFTING ARM

The Easy Arm® Intelligent Lifting Arm is a combination of our G-Force® lifting device and an articulating jib crane. It is an ideal solution if you're looking for a turn-key, plug and play lifting solution. You get all the strength, precision, and speed of our patented G-Force® lifting technology and processor controlled electric servo drive system in the body of an ergonomic articulating jib crane.

CHOOSE FREE STANDING EASY ARM® FOR:

- Smaller work areas that require 14' spans or less
- Capacities of 165, 330, and 660 lbs
- Easy installation: Unit ships assembled and ready to be installed
- No foundation required (some conditions apply, see Installation Manual)
- Easy relocation: the Easy Arm® is simply bolted to the floor



CHOOSE UNDER HUNG EASY ARM® FOR:

- Saving valuable floor space
- Hook heights over 11'
- Covering multiple work cells
- 165 lb standard capacity. Contact Gorbel® to inquire about 330 lb unit.

APPLICATIONS:

- Reaching into a work cell or around obstructions
- Reaching under overhead obstructions like exhaust hoods
- Reaching into machines
- High cycle pick and place
- Loading/unloading machined parts

Portable Base

Instead of bolting your free standing unit to the floor, our optional portable base gives you a stable base that you can move anywhere in your facility. The base shown is for smaller Easy Arms. Larger units may require a different portable base. Contact your Gorbel dealer to learn more.





INNOVATIVE HANDLE DESIGN



G 360™ Swivel Assembly

Our G-Force® Intelligent Lifting Devices have a combined collector/air swivel that allows the handle to continuously rotate without damaging electrical conductors in the coil cord or optional air coil. This is ideal in applications where the operator is continuously rotating the handle.



Multi-Language Handle Display

High resolution OLED, multi-language handle display allows for menu style set up of features like Virtual Limits and Speed Reduction Points. It also communicates valuable information like operation modes, weight readout, diagnostic information, and fault codes.



Operator Present Function

All G-Force® and Easy Arm® control handles have operator present sensing functionality, making them safe and intuitive. This method senses the presence of the operator's hand without a physical lever to depress. The result is safe, smooth operation because the operator is not tempted to use the Operator Present Sensor safety feature as a start/stop control.



Ergonomic Handle Design

Our long lasting handle grips are designed with your operator's comfort in mind. Their shape, size, and material were carefully planned to fit comfortably in your hand, and textured to give you a positive grip.

Q2 AND iQ2 HANDLE CONFIGURATION OPTIONS

The G-Force® and Easy Arm® were designed to provide flexibility in handle configurations. Your Gorbel distributor or your tooling integrator can help you choose the handle configuration best suited for your application.

See tooling examples on pages 15-16.



In-Line Slide Handle

The in-line slide handle allows the operator to get close to the load for more control and precision. With this handle, the load moves with the motion of the operator's hand.



Remote Mount Slide Handle

This configuration offers the same smooth control as the slide handle, but accommodates set-ups where the operators can't be close to the load.



Suspended Pendant Control Handle

This handle is ideal when you have limited headroom, when the operator can't get close to the load or when the operator needs maximum lifting stroke. This handle can also be used when you expect the load to bounce or tip during lifting.



Remote Mount Pendant Control Handle

Choose this design when the handle is mounted more than one foot from where the wire rope attaches to tooling, or when you expect the load to bounce or tip during lifting.

FORCE SENSING HANDLES FOR G-FORCE® AND EASY ARM®

The Force Sensing Handles offer versatility in ergonomic lifting. Compared to standard slide handles, which use displacement of the handle to initiate upward or downward motion, this design senses force applied without any handle motion. This creates a versatile option for tooling, or elongated handles that perfectly serve applications with a wide range of motion.



In-Line (FSI)

When very low or very high pick and place points require hand-over-hand lifting. Eliminates the need to bend over to reach into deep bins or dunnage.



Hub (FSH)

Provides the most flexibility for custom tooling solutions by allowing a wide range of handle bars (by others) to be mounted to the hub. The hub can also be mounted anywhere on the custom tooling frame. When the operator needs to control up/down motion by applying force to any point on the handle bars or other control fixtures attached at the hub.

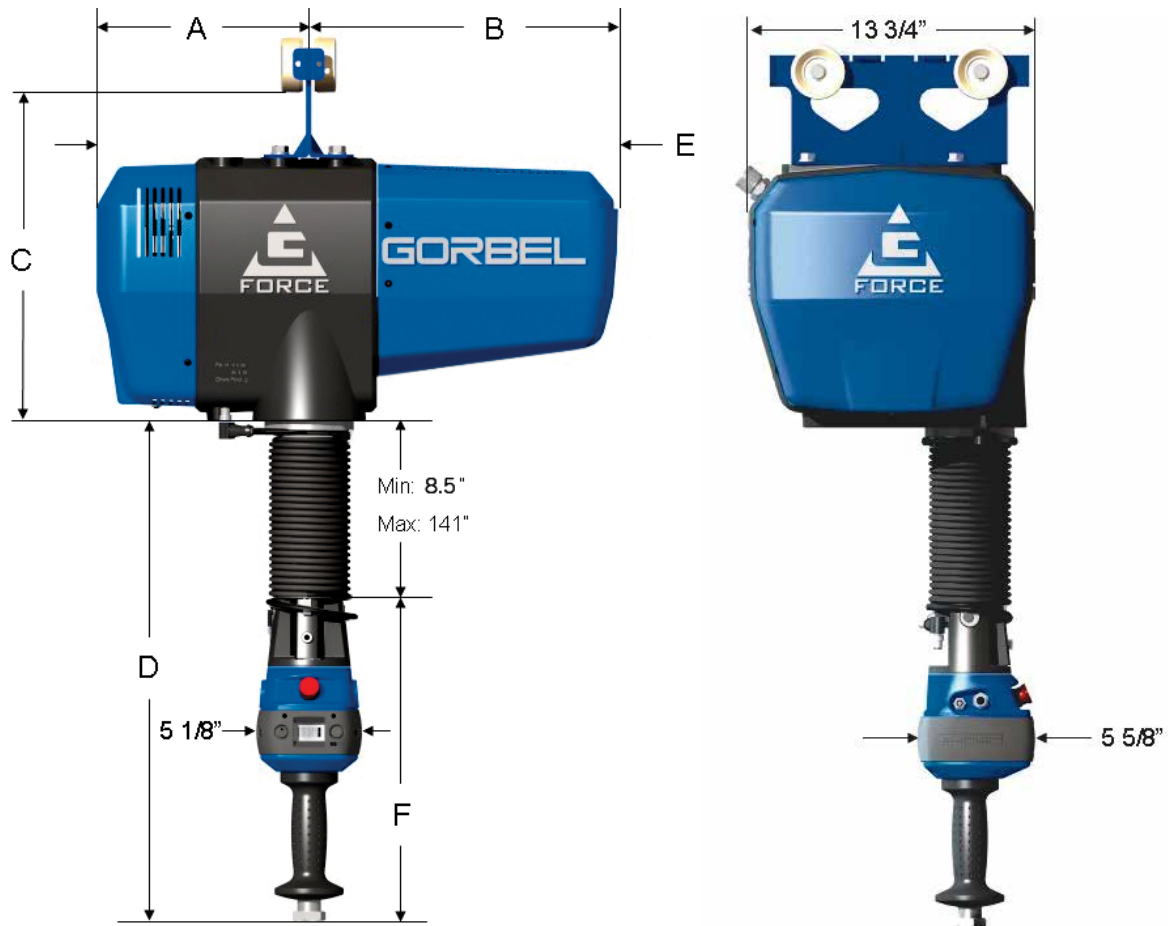


Remote mounted (FSR)

Provides the ability to remote mount a 24" or 36" Force Sensing Handle to a tooling frame (by others). This is beneficial for ergonomically reaching high and low pick/place points.

S E L E C T I O N S

G-FORCE® Q2 AND iQ2: BRIDGE CRANE MOUNTED LIFTING DEVICE



Capacity	165 lb (75 kg)	330 lb (150 kg)	660 lb (300 kg)
A	8.625" (219mm)	10.25" (260mm)	10.25" (260mm)
B	14.375" (365)	15" (381)	15" (381)
C	17" (432)	17" (432)	17" (432)
D	26" (660)	26" (660)	26" (660)
E	23" (584)	25.25" (641)	25.25" (641)
F	16" (406)	16" (406)	16" (406)

C dimension may change according to the track series you're using. Consult factory for actual dimension.
D references unit in full up position.

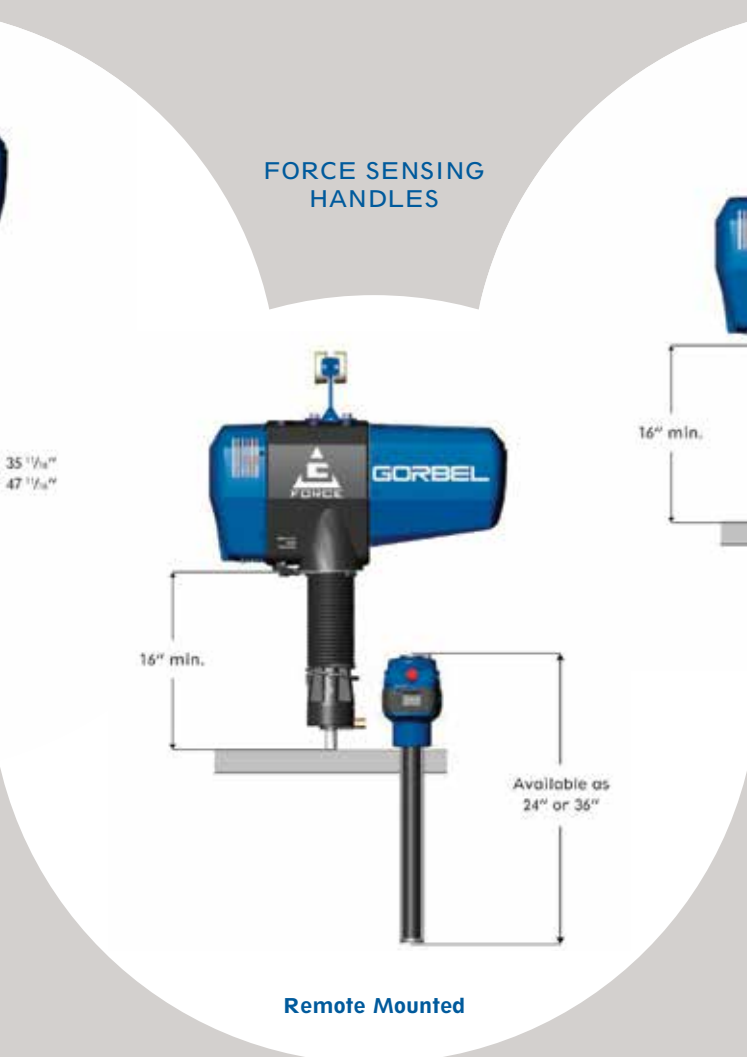
HANDLE CONFIGURATION OPTIONS



Dim	Remote Mount Slide	Suspended Pendant Control	Remote Mount Pendant Control
D	17.5" (445mm)	8.5" (216mm)	17.5" (445mm)
F	14.25" (362)	14" (356)	14" (356)



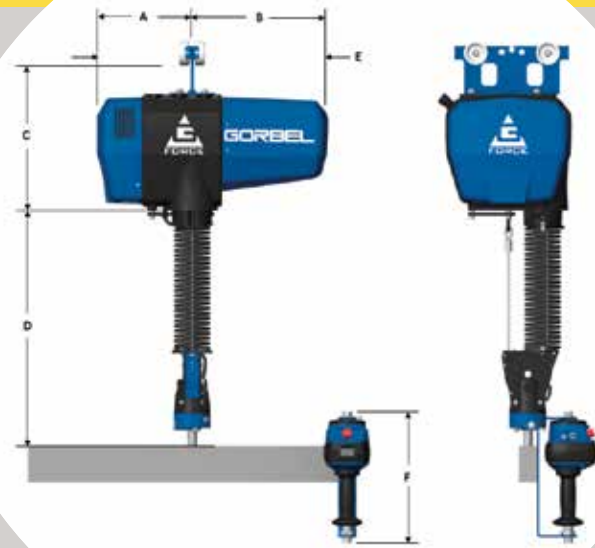
FORCE SENSING HANDLES



1320 LB. UNIT HANDLE CONFIGURATIONS



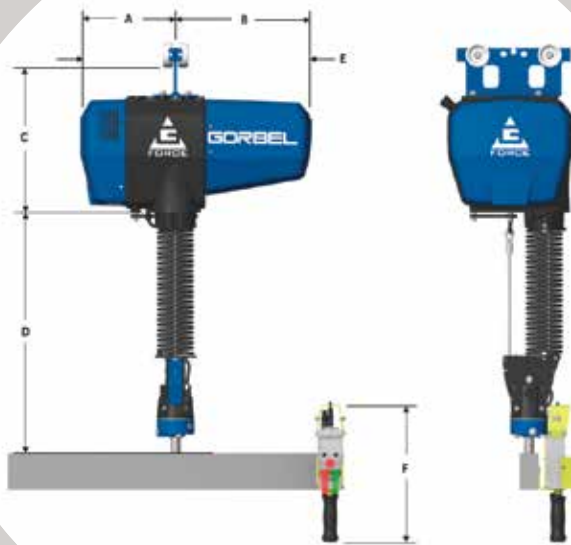
In-Line Slide



Remote Slide



Suspended Pendant



Remote Pendant

Dim	In-Line Slide	Remote Slide	Remote Pendant	Suspended Pendant
A	10.25" (260mm)	10.25" (260mm)	10.25" (260mm)	10.25" (260mm)
B	15" (381)	15" (381)	15" (381)	15" (381)
C	17" (432)	17" (432)	17" (432)	17" (432)
D	30.5" (775)	21.5" (546)	21.5" (546)	17.5" (445)
E	25.25" (641)	25.25" (641)	25.25" (641)	25.25" (641)
F	19.5" (495)	14.25" (362)	14" (356)	14" (356)

GORBEL'S G-FORCE® TECHNOLOGY: PROVEN PERFORMANCE

ERGONOMIC STUDY

The following summary is based on a study performed by the Rochester Institute of Technology. The study compared the performance of Gorbel's G-Force® Intelligent Lifting Device to other lifting devices. It focused on High Cycle Applications and Precision Placement Applications. To read the whole study, go to: <http://www.gorbel.com/pdfs/study/gforceergostudy.pdf>.

High Cycle Test

Operators were:

- **124%** more productive with the G-Force® than with air balancers
- **74%** more productive with the G-Force® than with variable frequency drive hoists

* Manual: 75% of the subjects could not complete 10 minutes of lifting & still maintain safe heart rates.

Precision Placement Test

Operators were:

- **76%** more productive with the G-Force® than with air balancers
- **59%** more productive with the G-Force® than with variable frequency drive hoists

* Manual: None of the subjects could complete 10 minutes of lifting w/o exceeding safe heart rates.

Force of Placement

The G-Force® was:

- **2.5x** less likely to damage the load than the air balancer with pendant control
- **3.3x** less likely to damage the load than the variable frequency drive hoists
- **2.2x** less likely to damage the load than manual

Figure 1: Number of Palletizing Lifts (Normalized for Energy Expenditure)

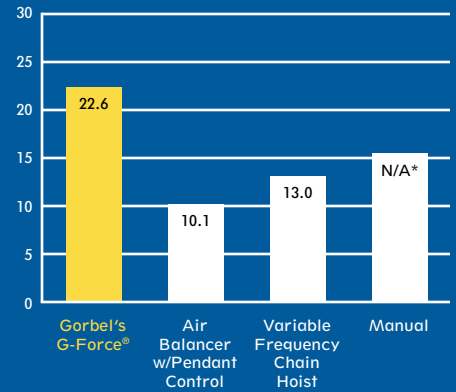


Figure 2: Number of Precision Placement Lifts

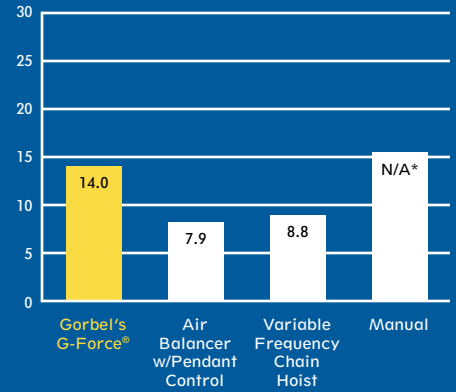
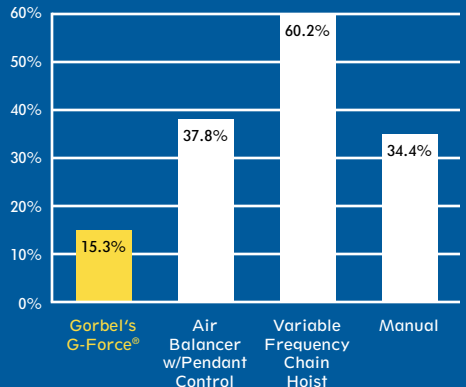
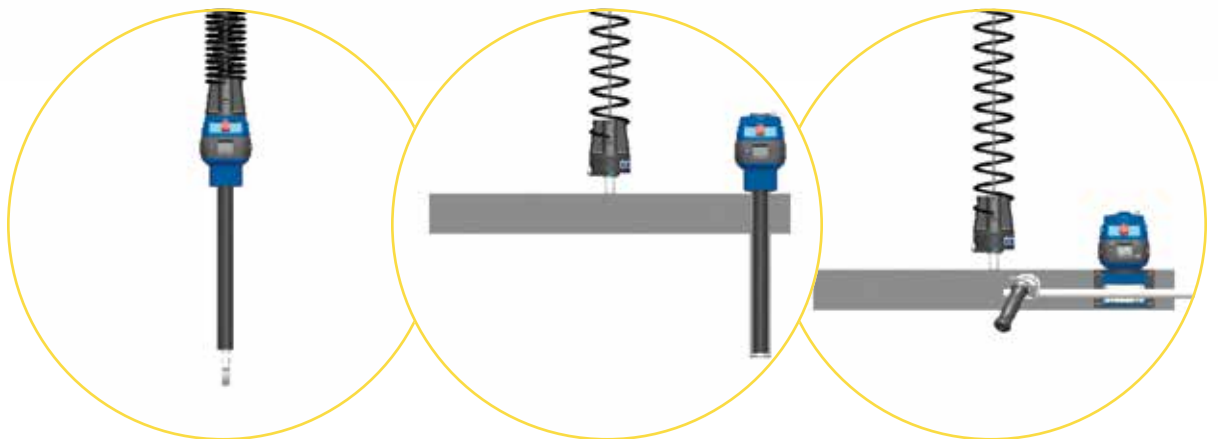
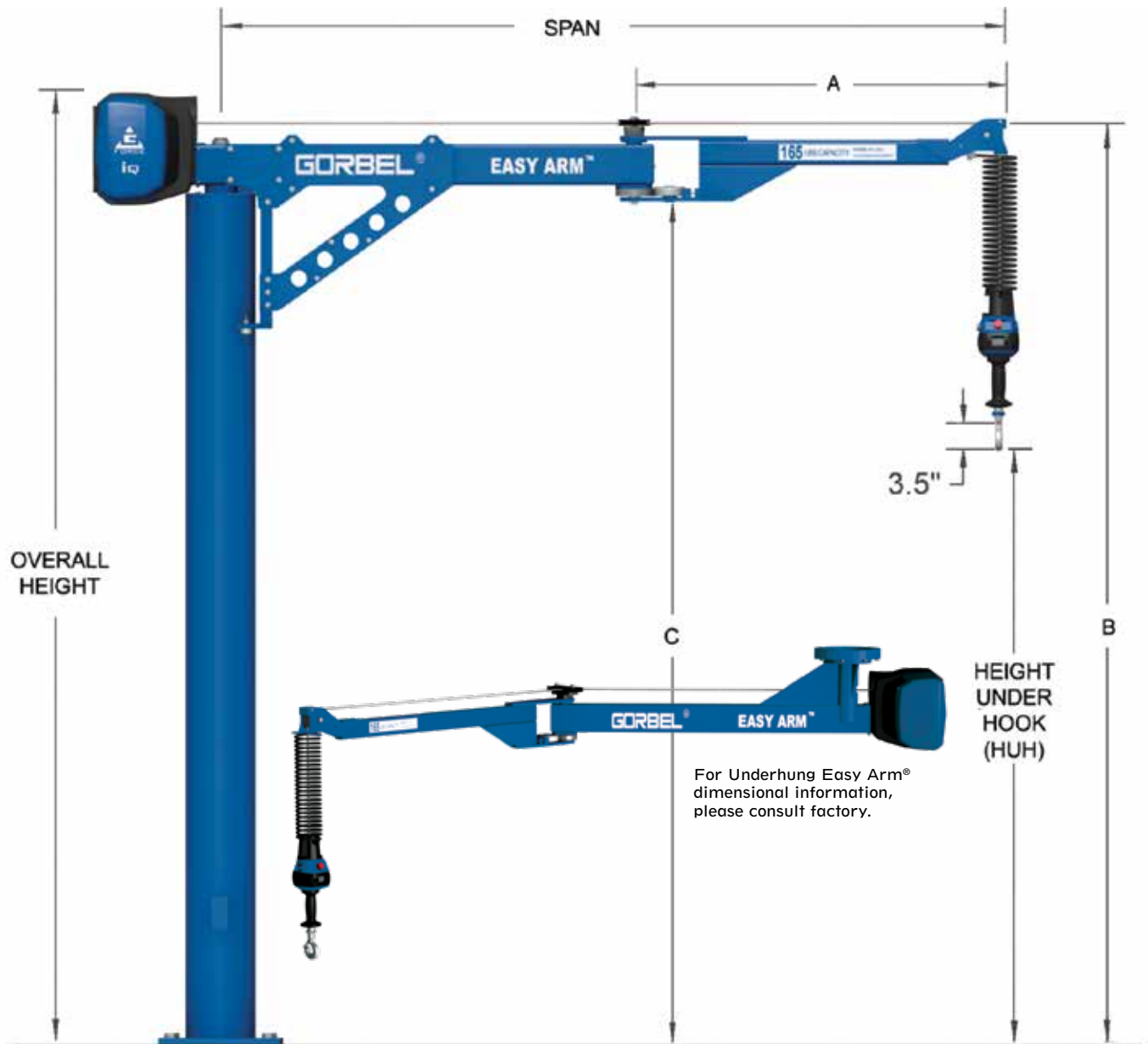


Figure 3: Percentage of Lifts Exceeding Force Threshold



EASY ARM

EASY ARM® Q2 AND iQ2: FREE STANDING LIFTING DEVICE



165 LB (75 KG) UNIT

Span	6'	8'	10'	12'	14'	6'	8'	10'	12'	14'	6'	8'	10'	12'	14'
	(1829mm)	(2438mm)	(3048mm)	(3658mm)	(4267mm)	(1829mm)	(2438mm)	(3048mm)	(3658mm)	(4267mm)	(1829mm)	(2438mm)	(3048mm)	(3658mm)	(4267mm)
HUH	6' (1829)					8' (2438)					10' (3048)				
OAH	109.14" (2772)					133.14" (3382)					157.14" (3991)				
A	33.84" (860)	45.12" (1146)	56.40" (1433)	67.68" (1719)	78.96" (2006)	33.84" (860)	45.12" (1146)	56.40" (1433)	67.68" (1719)	78.96" (2006)	33.84" (860)	45.12" (1146)	56.40" (1433)	67.68" (1719)	78.96" (2006)
B	105.98" (2692)					129.98" (3301)					153.98" (3911)				
C	97.89" (2486)					121.89 (3096)					145.89" (3706)				
D	24.90" (632)	32.06" (814)	40.03" (1017)	48.00" (1219)	56" (1422)	24.90" (632)	32.06" (814)	40.03" (1017)	48.00" (1219)	56" (1422)	24.90" (632)	32.06" (814)	40.03" (1017)	48.00" (1219)	56" (1422)

330 LB. (150 KG) UNIT

Span	6'	8'	10'	12'	14'	6'	8'	10'	12'	14'	6'	8'	10'	12'	14'
	(1829mm)	(2438mm)	(3048mm)	(3658mm)	(4267mm)	(1829mm)	(2438mm)	(3048mm)	(3658mm)	(4267mm)	(1829mm)	(2438mm)	(3048mm)	(3658mm)	(4267mm)
HUH	6' (1829)					8' (2438)					10' (3048)				
OAH	109.88" (2791)					133.88" (3401)					157.88" (4010)				
A	33.84" (860)	45.12" (1146)	56.40" (1433)	67.68" (1719)	78.96" (2006)	33.84" (860)	45.12" (1146)	56.40" (1433)	67.68" (1719)	78.96" (2006)	33.84" (860)	45.12" (1146)	56.40" (1433)	67.68" (1719)	78.96" (2006)
B	106.86" (2714)					130.86" (3324)					154.86" (3933)				
C	97.77" (2483)					121.77" (3093)					145.77" (3703)				
D	24.34" (618)	32.26" (819)	42.70" (1085)	51.48" (1308)	59.76" (1518)	24.34" (618)	32.26" (819)	42.70" (1085)	51.48" (1308)	59.76" (1518)	24.34" (618)	32.26" (819)	42.70" (1085)	51.48" (1308)	59.76" (1518)

Please note:

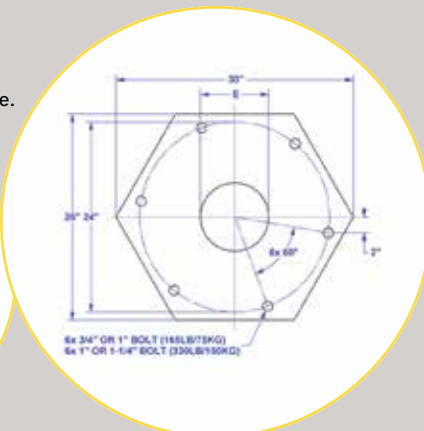
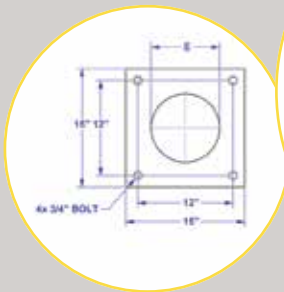
These dimensions are for Easy Arm® units with in-line slide handles only. Units with suspended pendant handles will have different dimensions. Please contact Gorbel at (800) 821-0086 for these dimensions. Other Heights Under Hook are available as special orders; contact factory. Dimensions shown in parentheses are in millimeters.

660 LB. (300 KG) UNIT

Span	8'	10'	12'	14'	8'	10'	12'	14'	8'	10'	12'	14'
	(2438mm)	(3048mm)	(3658mm)	(4267mm)	(2438mm)	(3048mm)	(3658mm)	(4267mm)	(2438mm)	(3048mm)	(3658mm)	(4267mm)
HUH	6' (1829)				8' (2438)				10' (3048)			
OAH	122" (3099)				146" (3708)				170" (4318)			
A	45.12" (1146)	56.4" (1433)	67.68" (1719)	78.96" (2006)	45.12" (1146)	56.4" (1433)	67.68" (1719)	78.96" (2006)	45.12" (1146)	56.4" (1433)	67.68" (1719)	78.96" (2006)
B	114.22" (2901)				138.22" (3511)				162.22" (4120)			
C	94.39" (2398)		91.66" (2329)		118.39" (3007)		115.66" (2938)		142.39" (3617)		139.66" (3547)	
D	40.1" (1019)	50.1" (1273)	60.1" (1527)	70.1" (1781)	40.1" (1019)	50.1" (1273)	60.1" (1527)	70.1" (1781)	40.1" (1019)	50.1" (1273)	60.1" (1527)	70.1" (1781)

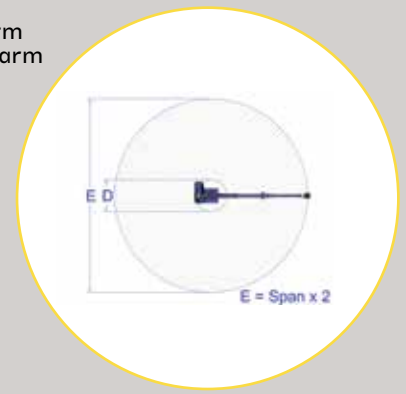
BASEPLATE DIMENSIONS

Please note: Hex baseplates are used on all 330 lb units, and on 165 lb units with a combined HUH plus span of 18' or more. All other 165 lb units use a square baseplate.



HOOK COVERAGE

Arm Rotation:
35° primary arm
320° secondary arm



G-FORCE

TOOLING

Gorbel G-Force® and Easy Arm® Intelligent Lifting Devices are high speed, high precision, intelligent lifting devices that often require end tooling to complete a total solution that will grip, lift, move, lower and release a load and allowing the full benefit of increased productivity, reduced product damage and superior ergonomics. Choosing the right end-effector tooling to complement your G-Force® and Easy Arm® is the key to maximizing your lifting solution. End-effector tooling engages the load so it can be lifted and manipulated in whatever way your application requires – whether the load needs to be flipped, turned, or rotated. Gorbel dealers utilize our worldwide network of tooling integrators to provide the best solution for your application. This gallery of solutions shows different examples of Gorbel G-Force® and Easy Arm® units with end effectors to help you visualize the range of potential solutions for your lifting applications.



OD GRIPPER

Remote mounted pendant handle for gripping wheel and tire assemblies. Utilizes anti-drop intelligence feature of iQ model which doesn't allow release of the load in the air.



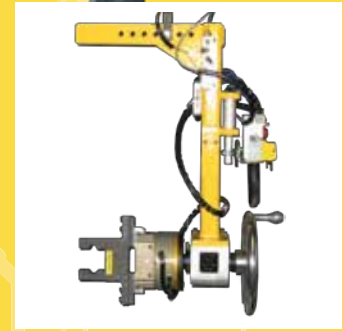
PLATE GRIPPER

Vertical to horizontal pitch function. In-line slide handle. May be used for steel plate or any other material.



BOX OR BUCKET LIFTER

Vacuum cups with Force Sensing Hub grips from side and top of boxes or buckets to maintain integrity of the package and allow high and low layer palletizing/de-palletizing.



TWO JAW GRIPPER

Remote pendant handle integrated pneumatic gripper, with manual rotate and adjustable center of gravity. Jaws can be customized to fit the geometry of any part.



TUBE LIFTER

Permanent magnet with pneumatic release. In-line slide handle. Also works with any round ferrous bar stock or cylindrical objects.



PLATE/SHEET LIFTER

Permanent magnet with pneumatic release. In-line slide handle. Size of magnets and configuration of magnet array can be customized to fit larger ferrous plates or sheets.



CASTING LIFTER

Force Sensing Hub. Magnetically grips and lifts coated metal castings from molds. Also includes a feature that uses high pressure air to release part from mold.



PLATE PICKER

Extended remote mounted pendant handle allows reaching over a plasma cutting table to remove cut parts or other applications where an extended reach is needed.



DRUM LIFTER

Force sensing hub vacuum with quick-change adapter and 3 different vacuum heads to lift drums, bags, and cardboard boxes with the same system.



PLATE PICKER

Magnet gripper with air actuated release and force sensing handle allows lifting and lowering without bending over to pick or place the load.



VACUUM CLAMP

Two-cup vacuum tool on two linear actuators use both clamping and vacuum to pick or place cabinets, enclosures, or other large box-type loads.



SPOOL GRIPPER

Pneumatic OD clamp with remote mounted pendant handle grips spools of wire, cable, or other material. A pitch function positions the spool horizontally or vertically.



ID GRIPPER

Pneumatic two-jaw ID gripper with automatic (button-less) clamp/unclamp function combines well with the Force Sensing Hub for high speed pick and place applications.



WHEEL LIFTER

Remote pendant handle pairs with a pneumatic OD gripper to lift and move car, truck, or heavy equipment wheels.



TIRE/WHEEL PICKER

Expanding air bladder is attached to an automatic clamp/unclamp unit with the Force Sensing Hub to pick and place wheels, with or without tires. Dual handles allow ergonomic high/low lifting.



PNEUMATIC CLAMP

Versatile clamping tool with in-line slide handle grips any load with flat sturdy sides such as car batteries, blocks, or metal blanks.



BIN LIFTER

Gripper with remote mounted pendant handle has rotate function to allow lifting and dumping of bins.



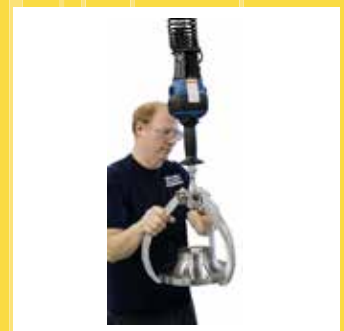
ROLL TURNER

Simple non-powered, mechanical ID roll lifter engages the core of the roll. Combined with the remote mounted slide handle, this unit also effortlessly rotates from vertical to horizontal.



SLEEVE PICKER

Manually actuated ball-lock pin engages the steel sleeve for lifting. Paired with a remote mount slide handle.



MANUAL TONG

Flexible three way tong grab with in-line slide handle allows lifting of a range of different diameter loads.

SOFT TOUCH CONTROL HANDLES

Use our Soft Touch Control Handles to control any air or electric powered equipment, such as end-effector tooling for the G-Force® or Easy Arm®. A common handle base for air or electric applications gives you design commonality and flexibility, whether your application requires air valves for direct control of end tooling, or electric switches to activate your G-Force® or Easy Arm® inputs.

MAKE TOOLING INTEGRATION EASIER

- Flexible design easily integrates into new equipment layouts
- Easy replacement of any standard pneumatic or electric handles
- Engineered for easy use to reduce potential for fatigue and repetitive stress injuries
- Offers more flexibility in tooling choices and the ability to customize tooling for applications
- Costs less than most comparable handles



CASE STUDIES

G-FORCE® IN ACTION: PAPER PLANT

This manufacturer of paper products replaced their air balancers with a Gorbels® Easy Arm® to change out roll cores in their plant. The switch has enabled the production process to run smoother and they've increased productivity.



URL: <https://www.gorbel.com/solutions-center/ergonomic-lifting/paper-manufacturer-benefits-from-intelligent-lifting-solution>



G-FORCE® IN ACTION: POWDER COATING OPERATION

This powder coating company turned their two person operation into a one person job by replacing a forklift with a G-Force® Intelligent Lifting Device.



URL: <https://www.gorbel.com/solutions-center/ergonomic-lifting/powder-coating-g-force-intelligent-lifting-device-reduces-labor-costs-and-provides-safe-solution>



GORBEL'S Q2 AND iQ2 TECHNOLOGY: TECHNICAL SPECIFICATIONS

BRIDGE MOUNTED G-FORCE® Q2 AND iQ2 QUICK FACTS

G-Force®	Q2	iQ2	Q2	iQ2	Q2	iQ2	Q2	iQ2
Maximum Capacity	165 lb 75 kg		330 lb 150 kg		660 lb 300 kg		1320 lb 600 kg	
Maximum Lifting Speed Unloaded	200 ft/min 61 m/min		100 ft/min 30 m/min		50 ft/min 14.94 m/min		25 fpm 7.47 m/min	
Maximum Lifting Speed Fully Loaded	125 ft/min 38 m/min		75 ft/min 23 m/min		42 ft/min 12.80 m/min		21 fpm 6.4 m/min	
Maximum Float Mode Lift Speed	103 ft/min 31 m/min		65 ft/min 20 m/min		38 ft/min 11.58 m/min		19 fpm 5.79 m/min	
Duty Cycle	H5		H5		H4		H3	

FREE STANDING EASY ARM® Q2 AND iQ2 QUICK FACTS

Easy Arm®	Q2	iQ2	Q2	iQ2	Q2	iQ2
Maximum Capacity (Load & Tool)	165 lb 75 kg		330 lb 150 kg		660 lb 300 kg	
Maximum Lifting Speed Unloaded	180 fpm 55 mpm		90 fpm 27 mpm		50 fpm 14.9 mpm	
Maximum Lifting Speed Fully Loaded	125 fpm 38 mpm		75 fpm 23 mpm		42 fpm 12.8 mpm	
Maximum Float Mode Lifting Speed	103 fpm 31 mpm		65 fpm 20 mpm		38 fpm 11.58 mpm	
Maximum Lift Range	11 ft 3.35 m		11 ft 3.35 m		11 ft 3.35 m	

Q2 AND iQ2 TECHNICAL SPECS

G-Force® and Easy Arm®	Q2 iQ2
Primary Lift Voltage (VAC)	220 +/- 10%, single phase
Maximum Current (Amps)	6
Duty Cycle	H3 - H5
Operating Temperature Range	41 - 122° F 5 - 50° C
Operating Humidity Range (Non-Condensing)	35 - 90%
User Accessible Power	24VDC @ 0.5A
Virtual Limits (Upper Limit, Power Limit, Speed Reduction)	Standard

iQ2 SPECIFIC INFORMATION

I/O Actuator (iQ2 only)	
Inputs, Type	8, Sinking
Input Current @24VDC	6mA
Outputs, Type	4
Continuous Current/Channel	0.5A
Module Max Current	0.5A
X67 I/O Module (iQ2 Only)	
8 Channel	Input or Output
Nominal Voltage	24VDC
Input Current @24VDC	4mA
Input Type	Sinking
Outputs Type	FET
Continuous Current/Channel	0.5A
Total Nominal Current	0.5A
Handle I/O (Q2 Only)	
Inputs, Type	2, Sourcing
Input Current (max) @24VDC	60mA
Outputs, Type	2, Relay
Max Switch Current	0.5A
Max Available Current	0.5A

FOR MORE INFORMATION

Your authorized Gorbel dealer can give you more information on what makes Gorbel's Ergonomic Work Station Cranes and other material handling products "A Class Above."



OVERVIEW



BRIDGE CRANES



Work Station Cranes



Cleveland Tramrail



Ergonomic Study

ERGONOMIC LIFTING



G-Force® & Easy Arm®



Ergonomic Study

JIB CRANES



Jib Cranes

FALL PROTECTION



Fall Arrest

"Bringing Order To Chaos"

w.w.Cannon, llc.

Design. Layout. Build. Install.

1-800-442-3061
www.wwcannon.com

"Bringing Order To Chaos"