

COMMON OSHA REQUIREMENTS 1910 SUBPART D



NOTE: MARINE TERMINALS AND
GANGWAYS GOVERNED BY 1917
SUBPART F

w.w.Cannon, Inc.
Design. Layout. Build. Install.
1-800-442-3061
www.wwcannon.com

DEFINITIONS/EXAMPLES

STAIR RAIL/STAIR RAIL SYSTEMS

used on stairs, can include screens or other protections, top rail $\geq 42"$ H, w/ midrail, ≥ 200 lb load

GUARDRAILS

used on platforms and runways, $\geq 42"$ H $\pm 3"$, w/ midrail

HANDRAILS

used only on stairs $> 44"$ W, must be 30-38" H, 2.25" clearance, ≥ 200 lb load

STANDARD STAIRS

fixed or permanently installed stairs, excluding ship, spiral or alternating tread-type stairs

MOBILE LADDER STANDS (MAUI) and **MOBILE LADDER STAND PLATFORMS (Rollastep/Aerostep)**

PERSONAL FALL ARREST SYSTEM ("PFAS")

body harness, anchorage and connector to arrest an employee's fall

LADDER SAFETY SYSTEM ("LSS")

attached to a fixed ladder usually consisting of a carrier, safety sleeve, lanyard, connectors and body harness to eliminate or reduce falls from ladders. Excludes cages or wells.

STAIRS

GENERAL

stairs $\geq 4'$ H or w/3 treads and 4 risers require a stair rail/stair rail system

TREADS

must support $\geq 1,000$ lb, minimum depth $\geq 9.5"$

RISERS

must be uniform between landings, 30-50 deg, $\leq 9.5"$ H

WIDTH

$\geq 22"$ between railings

RAILINGS

open-sided stairs $< 44"$ require 1 stair rail/side; open-sided stairs $> 44"$ require 1 stair rail and 1 separate handrail/side

HEIGHT CLEARANCE

minimum 6'6" clearance from nose of tread to overhead obstruction

SHIP STAIRS

only usable where standard stairs are impractical, 50-70 deg, rise 6.5"-11", tread $\geq 4"$, width $\geq 18"$

PLATFORMS AND RUNWAYS (CATWALKS)

GENERAL

a platform or runway higher than 4' requires guardrails, no substitution (i.e., no chains or other barriers)

PLATFORMS

must be \geq width of stairs and $\geq 30"$ deep

RUNWAYS (Catwalks)

must be $\geq 18"$ W

DOOR CLEARANCE

$\geq 22"$ from edge of open door to edge of platform

LADDERS

GENERAL

new or replacement ladders $\geq 24'$ H require PFAS or LSS

RUNGS

must be uniform and between 10" - 14" apart; $\geq 16"$ wide

CLEARANCES

$\geq 30"$ on climbing side or 24" w/ deflector plate, $\geq 7"$ on back side, 15" from centerline

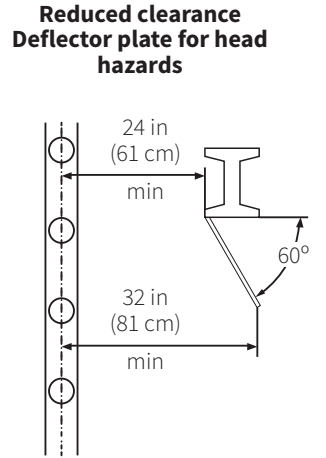
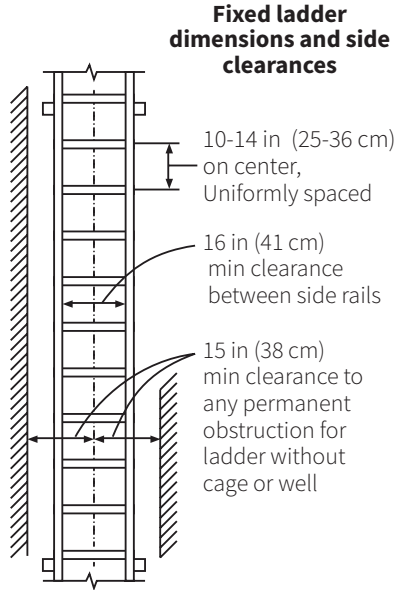
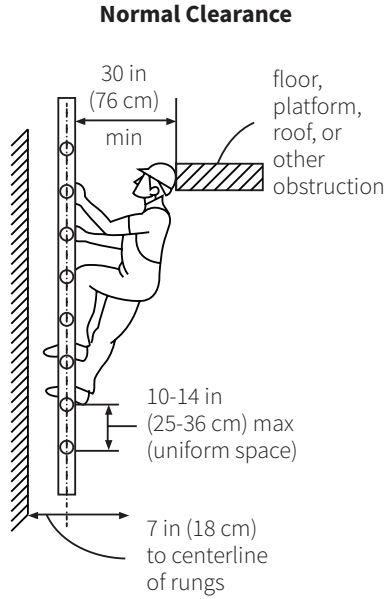
GRAB BARS

must extend 42" above landing

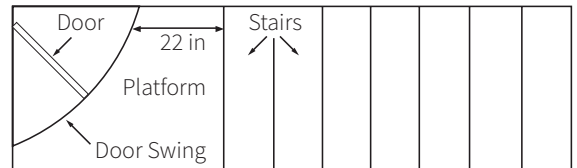
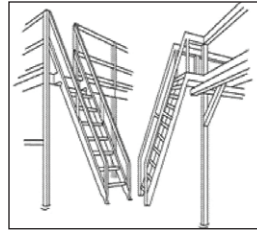
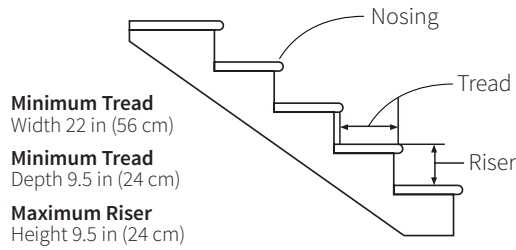
SAFETY GATE

must have a self-closing gate that swings away from ladder, w/top rail and midrail

OSHA REQUIREMENTS LADDERS



OSHA REQUIREMENTS STAIRS



Angle	Type
≤ 30°	Ramps
30° - 50°	Standard Stairs
50° - 70°	Ship Stairs
50° - 70°	Alternating Tread-Type Stairs
60° - 90°	Ladders

Stair width	Enclosed	One open side	Two open sides
Less than 44 inches (1.1 m)	At least one handrail	One stair rail system with handrail on open side.	One stair rail system each open side.
44 inches (1.1 m) to 88 inches (2.2 m)	One handrail on each enclosed side	One Stair rail system with handrail on open side and one handrail on enclosed side.	One stair rail system with handrail on each open side.
Greater than 88 inches (2.2 m)	One handrail on each enclosed side and one intermediate handrail located in the middle of the stair	One stair rail system with handrail on open side, one handrail on enclosed side, and one intermediate handrail located in the middle of the stair.	One stair rail system with handrail on each open side and one intermediate handrail located in the middle of the stair.

OSHA REQUIREMENTS GUARD/HAND RAILS

