



STARRCO SG-200

Cleanroom Ceiling Grid

The System

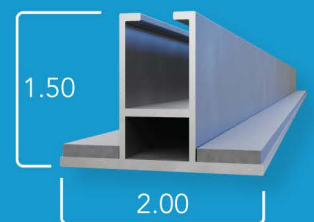
A 2" structural ceiling grid designed and manufactured for a variety of cleanroom and controlled environment applications. Trusted by industry professionals for over 10 years, the system's key components arrive fully assembled for time saving installation.

The Advantage

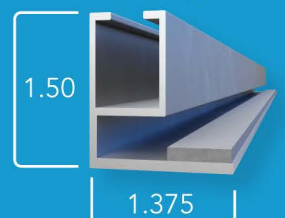
Designed for the installer, the pre-assembled Alignment Strip spaces the layout in a standard 2' x 4' grid for you, removing the need to constantly measure and confirm spacing for Main and Cross Tees.

- Aluminum 6061-T6
- Clear Anodized Finish
- Factory-applied Gasket
- Rod-hung Suspension
- Non-progressive Design
- Seismic Rated
- 100% Filter Capacity

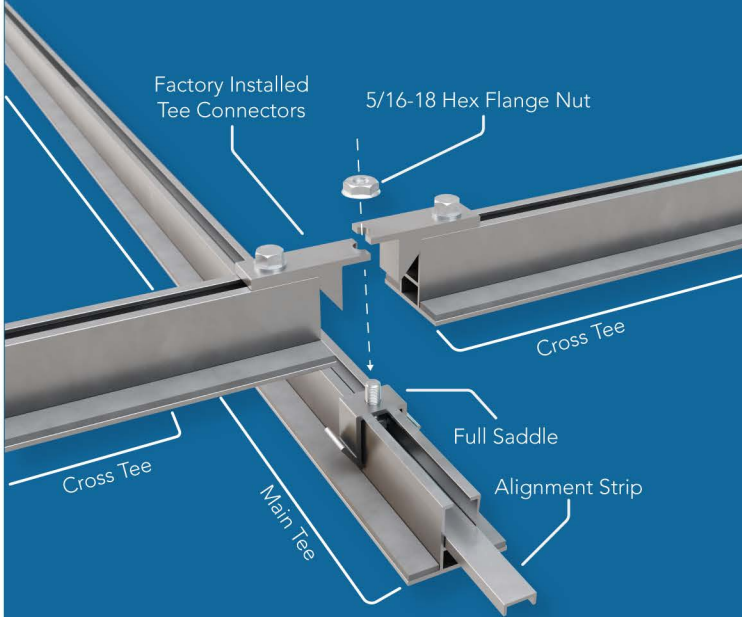
Tee Profile



Wall Angle



Quick Connect System



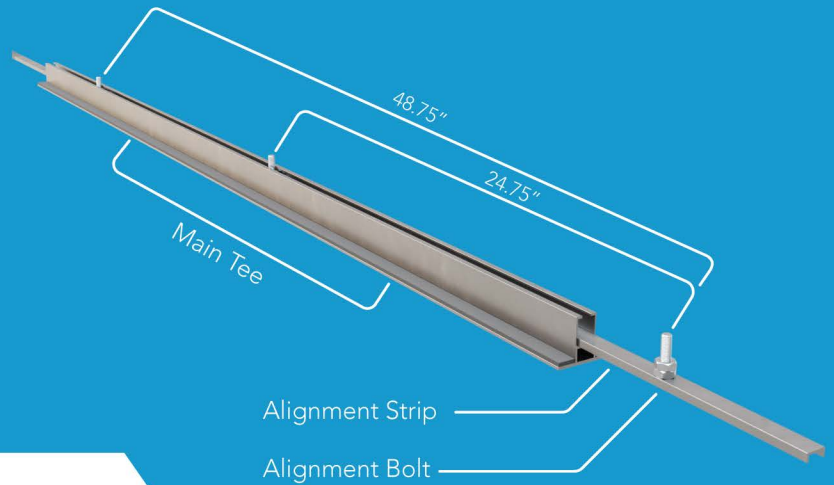
The Slider and Connectors are designed so the system draws Tees flush, eliminating gaps between Cross and Main Tees.

The Quick Connect System allows for seamless Tee installation.

The Alignment Strip

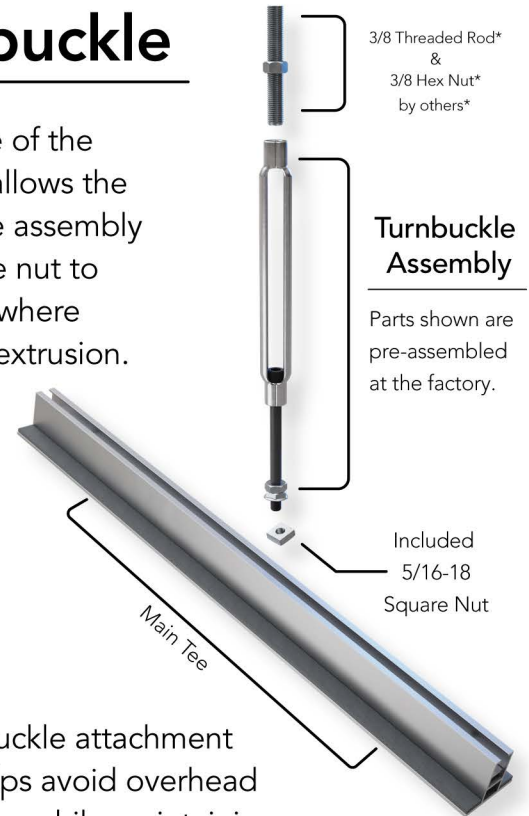
The Alignment Strip is assembled in our factory for a 2' x 4' ceiling configuration.

The Alignment Strip rests inside the system extrusions, providing pre-measured spacing for the Main and Cross Tees saving you valuable installation time.



Turnbuckle

The profile of the Main Tee allows the Turnbuckle assembly and square nut to attach anywhere along the extrusion.



The Turnbuckle attachment system helps avoid overhead obstructions while maintaining drop rods on approximate 4 ft. centers

Video Installation Instructions



Loading Properties

Deflection Ratio	L/360	L/180	L/360	L/180
Hanger Spacing	49.5"	49.5"	24.75"	24.75"
Max Allowable Deflection	.1375"	.275"	.068"	.1375"
Max Mid Span Point Load	#60	#120	#240	#480
Max Deflection for Uniform Load	#96	#192	#384	#768