



PIVOT GATE MEZZANINE SAFETY GATE

Designed for maximum installation flexibility, Wildeck's innovative Pivot Safety Gate will protect open areas on mezzanines, elevated platforms, balconies, and rack systems during loading and unloading of your material.

HIGHLIGHTS

- For safety, when one side opens the other closes.
- Cut-to-fit design adapts to your application requirements.
- Side rails can easily connect to most Wildeck mezzanine railings for a seamless barrier.
- Meets IBC codes as well as OSHA safety standards.
- Meets ANSI MH28.3-2009 Standard reference Section 6.4.3).



HOW IT WORKS

Wildeck's Pivot Safety Gate design simplifies operation. When one side is raised, the other side closes, allowing quick, convenient and safe access by forklifts and facility personnel.

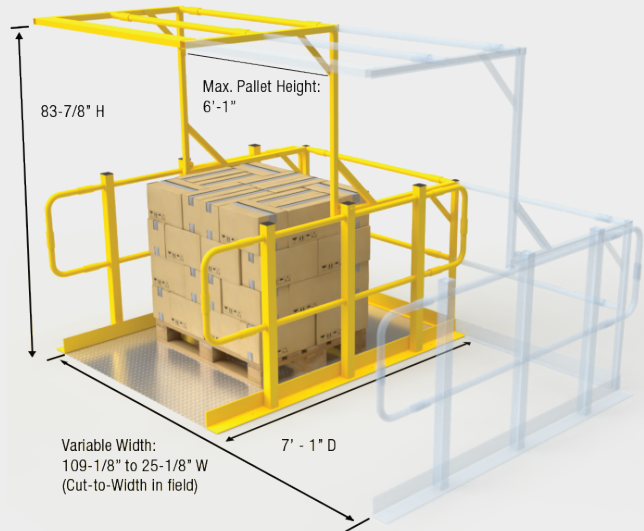
The Pivot Safety Gate can be cut-to-width at your facility for a precise, custom fit (10 ft. to 3 ft.). This allows for easily adjusting onsite to fit within pallet rack, mezzanine railing, or similar industrial environments.

With its perimeter railing and integral kickplate, loading and unloading areas can now be fully protected, reducing accidents and injury from falling material.

SPECIFICATIONS

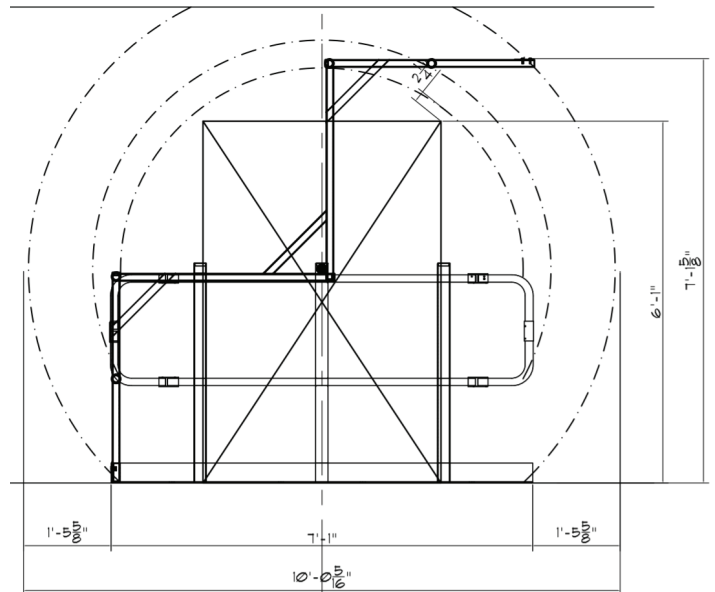
- Shipping Weight: 400 lbs.
- Outside Dimensions/Installation Footprint: Outside Width Variable from 120" to 36" x 84-1/2"D x 85-7/16"H
- Pallet / Load Clearance: Interior Width: Variable from 109-1/8" to 25-1/8" (Gate must be Cut-to-Width on site for narrower openings) Depth: 7' 1" Height/Clearance: 83-7/8"
- Assembly Hardware and Instructions Included
- Anchors Not Provided
- Painted Safety Yellow for high visibility
- Meets IBC codes as well as OSHA safety standards.
- Meets ANSI MH28.3-2009 Standard (reference Section 6.4.3)

Interior Pallet/Load Clearance Dimensions



APPLICATIONS

- New and existing mezzanines
- Rack systems, balconies, and elevated platforms
- Warehousing and storage operations
- Distribution centers
- Manufacturing facilities
- Auto dealerships - parts rooms
- Schools, universities, colleges
- Retail - back rooms, inventory and fixture storage areas
- Buildings of worship
- Hospitals - storerooms, maintenance mezzanines
- Government facilities



w.w.Cannon, Inc.

Design. Layout. Build. Install.

1-800-442-3061
www.wwcannon.com