

# Aluminum Walk Ramps – Apron Style

*Lightweight aluminum construction and apron style design for use with curbs or loading docks*



Product Overview

**BLUFF**  
MANUFACTURING

Yard Ramps



Manufactured and tested in compliance  
ANSI Standard MH30.2

**BLUFF**  
MANUFACTURING

Innovative Products  
Fast Lead Times

# Features

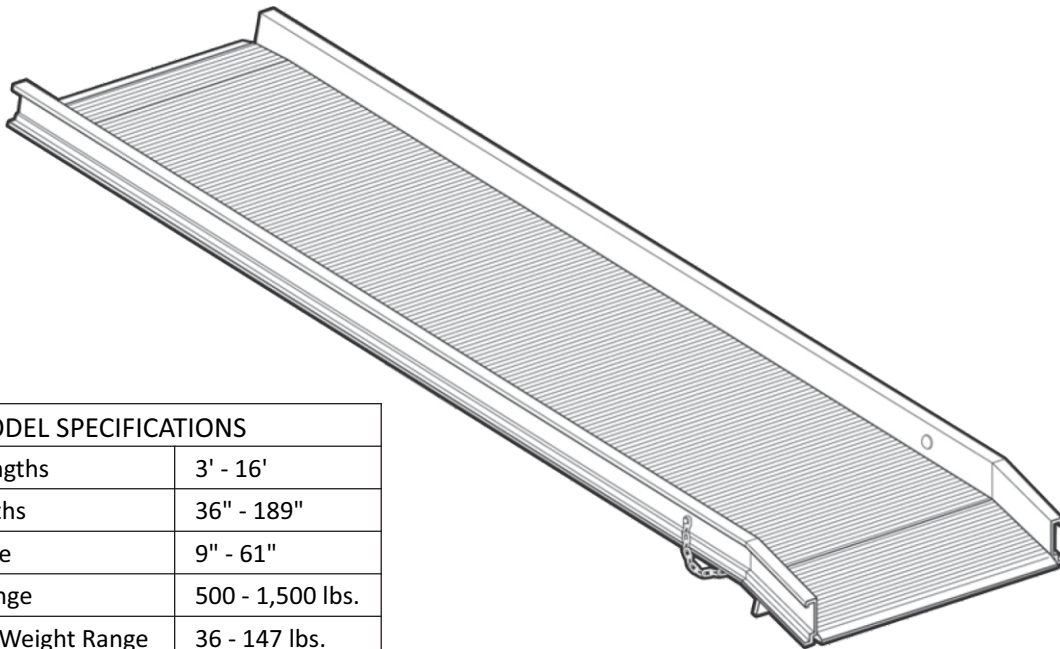
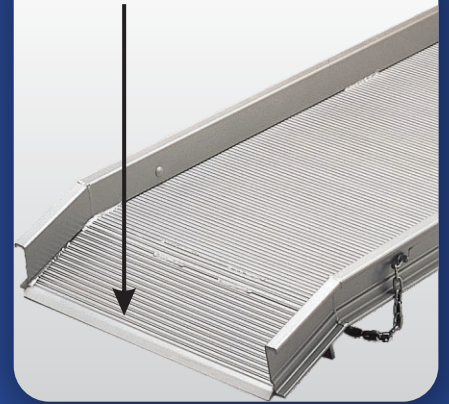
- Nominal Lengths: 3' – 16'
- Actual Length: 36" – 189"
- Height Range: 9" – 61"
- Capacity Range: 500 – 3,000 lbs.
- 2900 Series Weight Range: 36 – 147 lbs.
- 3900 Series Weight Range: 43 – 176 lbs.
- Apron Size: 8"
- Position Stop Length: 3.25"
- Apron Size: 36"
- Brand: Magliner
- Twin-tooth deck for better traction when traveling in either direction
- Strong, lightweight aluminum construction makes ramps easily portable and convenient
- All apron models complete with 8" apron, 3¼" position stop, and safety chains

*Note: Walk Ramps are not made for powered equipment or pallet jack use. Walk Ramps are intended for foot traffic use only.*

Walk Ramp



Twin-tooth extruded deck



APRON MODEL SPECIFICATIONS	
Nominal Lengths	3' - 16'
Actual Lengths	36" - 189"
Height Range	9" - 61"
Capacity Range	500 - 1,500 lbs.
2900 Series Weight Range	36 - 147 lbs.
3900 Series Weight Range	43 - 176 lbs.
Apron Size	8"

