



# Model 90ACL

## Adjustable Load Pallet Lifter

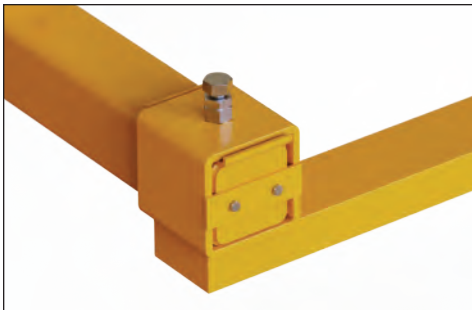
Adjustable bail provides balanced handling of items with different load centers.

### Product Features:

- Once the bail pin is set, the pallet lifter remains balanced whether full or empty to make the job faster and safer
- Adjustable throat allows for the correct handling of higher stacked loads
- Adjustable forks allow for proper placement of the fork spread
- The auto-return bail automatically levels empty pallet lifter saving time and effort
- Heavy-duty construction for years of trouble-free service
- Complies with ASME standards



### PRODUCT DETAILS

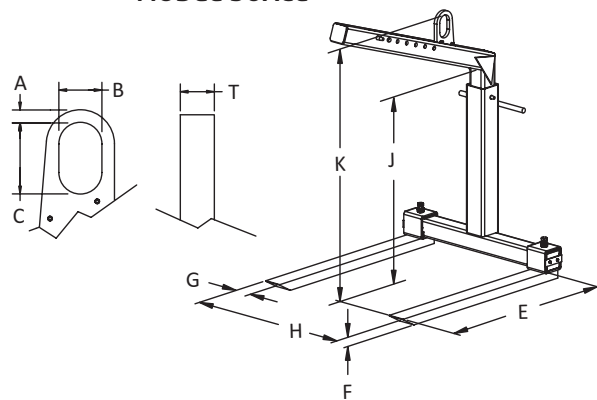


Close-up of adjustable fork



Bail stop pin

### MODEL 90ACL



Model Number	Rated Capacity (tons)	Dimensions (in.)																	Weight (lbs.)	
		Fork				Bail				Throat			HR Headroom (at min. throat)		HR Headroom (at mid throat)		HR Headroom (at max. throat)			
		E	F	G	H		A	B	C	T	J			K		K		K		
					Min.	Max.					Min.	Mid	Max.	Min.	Max.	Min.	Max.	Min.		Max.
<b>90ACL-2</b>	2	43	2	4	16	36	.88	3	5	0.75	40.68	52.68	64.18	54.88	60.68	66.63	72.44	78.38	84.18	515

IN STOCK