



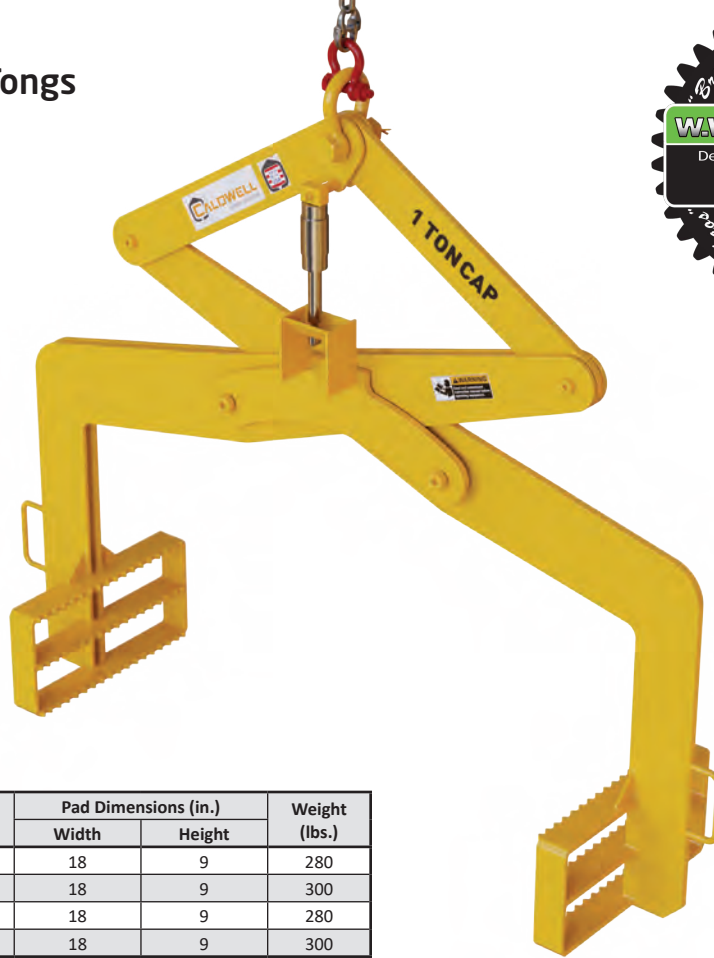
# Model 77

## Bale Lifting Tongs

Pressure tongs can be used to lift objects that have sufficient structure and density to stand up to the application of lateral force.

**Product Features:**

- Lifts bales of paper, cotton, and other materials
- Wide gripping surface for load stability
- Includes Auto-Latch mechanism for one person operation
- Complies with ASME standards



Model Number	Rated Capacity (tons)	Bale Width (in.)	Unit Height Loaded (in.)	Pad Dimensions (in.)		Weight (lbs.)
				Width	Height	
77-1/2-36	1/2	36	52	18	9	280
77-1/2-48	1/2	48	56	18	9	300
77-1-36	1	36	52	18	9	280
77-1-48	1	48	56	18	9	300

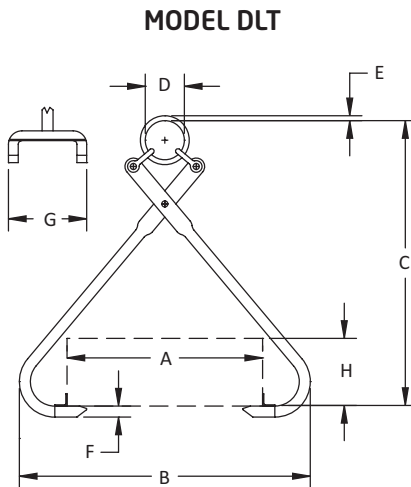
# Model DLT

## Die Lifting Tongs

Support Tongs are used for repeat pickups of constant-sized containers such as boxes and crates. The arm design allows significant height on the lifted item and the Auto-Latch mechanism allows the operator to position, engage, lift, move, place, and disengage the lifted item without assistance.

**Product Features:**

- Broad capacity range
- Low-headroom design
- Complies with ASME standards



Model Number	Capacity (lbs.)	Dimensions (inches)								Weight (lbs.)
		Max. A	B	C	D	E	F	G	H	
DLT-1-20	2000	20	29 3/4	29	4	5/8	1	8	7	29
DLT-1 1/4-28	2500	28	40 1/4	39	5	3/4	1 1/4	8	9 1/2	52
DLT-1 1/2-38	3000	38	51 3/4	47 1/2	6	7/8	1 1/2	10	10 3/4	86

IN STOCK