

Model 82RC

Close-Stacking C-Hook

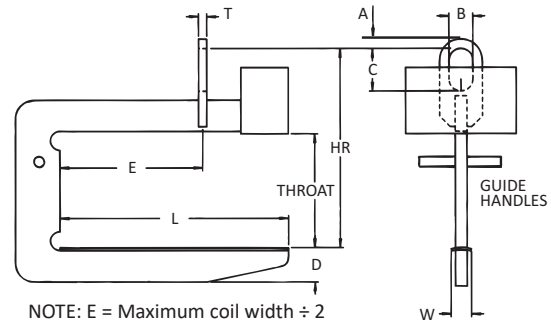
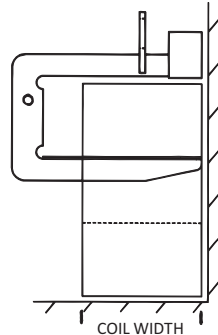
When space is tight and the loads are heavy, this is the hook for the job. Based off Caldwell's best-selling Model 82, the Model 82RC features a recessed counterweight that allows you to stack coils closer together, making the most of the space you have available.

Product Features:

- Recessed counterweight allows for close stacking of coils, which maximizes floor space
- Handles a wide range of coil widths
- Designed for heavy-duty application
- High tensile alloy steel plate reduces physical size and weight
- Counterbalanced to hang level when empty
- Inside radius on hooks avoid coil edge contact
- Curved coil saddle is standard
- Guide handle for ease of hook positioning
- Available with optional padding for additional coil protection
- Complies with ASME standards



MODEL 82 RC



WARNING

Center of the hoist and bail must be in-line with the load's center of gravity.

Model Number	Capacity (tons)	Dimensions (inches)											Weight (lbs.)
		Coil Width		Throat	Lifting Arm			HR Headroom	Bail Dimensions				
		Max.	Min.		Length L	Depth D	Width W		Opening A	B	C	Thk. T	
82RC-5-36	5	36	24	24	30	5-5/16	4	37-1/4	1-1/2	4	7	1-1/4	550
82RC-5-48		48	30	24	39	6-1/8	4	38-1/16	1-1/2	4	7	1-1/4	707
82RC-5-60		60	36	24	48	6-15/16	4	39	1-1/2	4	7	1-1/4	853
82RC-7 1/2-36	7-1/2	36	24	24	30	5-5/8	4	37-1/2	1-1/2	4	7	1-1/2	750
82RC-7 1/2-48		48	30	24	39	6-3/8	4	38-1/4	1-1/2	4	7	1-1/2	996
82RC-7 1/2-60		60	36	24	48	6-15/16	4	39	1-1/2	4	7	1-1/2	1161
82RC-10-48	10	48	30	24	39	7-3/16	4	41-1/4	2	5	9	1-3/4	1200
82RC-10-60		60	36	24	48	7-5/8	4	41-1/2	2	5	9	1-3/4	1645
82RC-10-72		72	42	24	57	7-1/4	4	41-1/8	2	5	9	1-3/4	2100
82RC-15-48	15	48	30	30	39	7-1/4	4	47-7/8	2	5	9	1-3/4	2054
82RC-15-60		60	36	30	48	8	4	48	2-1/4	5	9	1-3/4	2410
82RC-15-72		72	42	30	57	8-3/4	4	48-3/4	2	5	9	1-3/4	2814
82RC-20-60	20	60	36	30	48	9-1/8	4	52-1/8	2-1/4	6	12	2	2864
82RC-20-72		72	42	30	57	9-3/4	4	52-1/2	2-1/4	6	12	2	2951
82RC-25-60	25	60	36	34	48	9	4	57-3/4	2-1/2	6	14	2-1/4	3077
82RC-25-72		72	42	34	57	9-3/4	4	58-3/4	2-1/2	6	14	2-1/4	3570
82RC-30-60	30	60	36	34	48	9-7/8	4	58-3/4	2-3/4	6	14	2-1/2	3480
82RC-30-72		72	42	34	57	10-5/8	4	59-3/8	2-3/4	6	14	2-1/2	4260
82RC-40-72	40	72	42	38	57	11	5	68	3-1/4	7	18	3	6100

Counterweight extends beyond arm one-half of the counterweight width, in capacities 25 ton and greater. Other sizes available, consult factory.