

Model 83EW

Extended Width Vertical "Eye" Coil Lifter

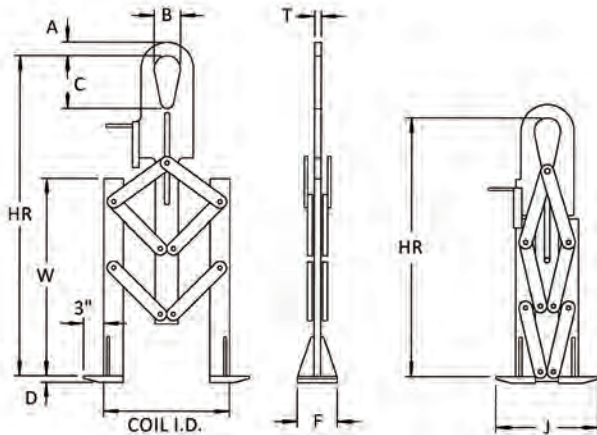
Vertical coil lifting presents unique challenges, but the Caldwell Model 83EW is ready to conquer. Simply insert the unit in the I.D. of the coil (stored on spacers, of course), placing the feet under the coil itself. The lifter legs automatically adjust to the walls of the coil I.D. so a safe lift can proceed.

Product Features:

- Handles any size coil I.D. from 16" to 24"
- Lifter legs automatically adjust to coil I.D. being lifted
- Has higher capacity range than standard lifter
- Unique design minimizes dunnage required between coils
- Complies with ASME standards



MODEL 83EW



Model Number	Capacity (tons)	Dimensions (inches)											Weight. (lbs.)	
		Coil I.D.		Coil Width	HR Headroom		Bail Dimensions				Foot Dimensions			
		Min.	Max.	W	Open	Closed	A	B	C	T	F	D		J
83EW-1/2-24	1/2	16	24	20	36	30-7/8	1-1/4	3	5	5/8	5	1/2	14-1/2	90
83EW-2 1/2-24	2-1/2	16	24	24	44	37-1/2	1-1/2	3	5	3/4	5	3/4	15-1/2	125
83EW-5-24	5	16	24	30	47	40-3/8	2	4	7	1	6	1	15-1/2	170
83EW-7 1/2-24	7-1/2	16	24	30	47	40-3/8	2	4	8	1	6	1	15-1/2	170

Other sizes available, consult factory.

See the
Model 83EW
 In Action!



Visit the Caldwell YouTube channel to see a demo of the Model 83EW. Technical Sales Rep Bill Gridley shows you how it works here: