

Models 36 & 36E

Fiberglass Battery Lifting Beams



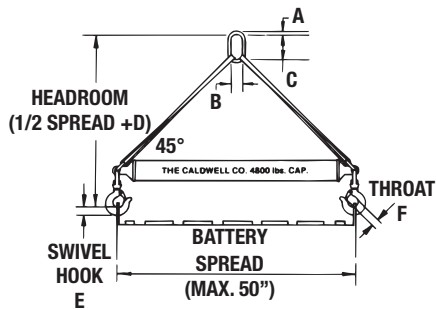
Used for applications that require a non-conductive beam such as lifting industrial fork lift truck batteries.

Product Features:

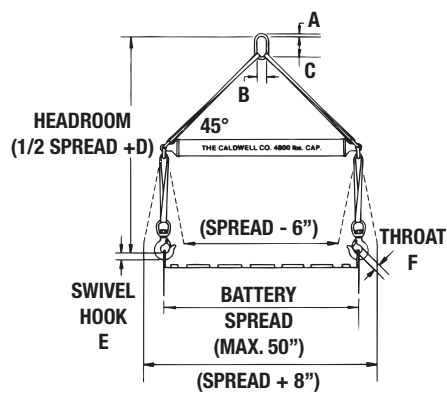
- Lightweight units — 70% lighter than other beams
- Models are available for handling batteries of equal length or of different lengths
- Heavy-duty 4800- and 7000-lb. capacities
- Non-conductive fiberglass beam construction
- Acid-resistant, coated polyester straps and hooks
- Standard drop sling length is 10", other lengths available upon request



MODEL 36



MODEL 36E



Model 36 - Fixed (Batteries of Equal Length)

Model Number	Rated Capacity (lbs.)	Standard Spread (in.)	Dimensions (in.)						Weight (lbs.)
			A	B	C	D	E	F	
36-2.4	4800	36	5/8	3	6	11	27/32	21/32	16
36-3.5	7000	36	3/4	2-3/4	5-1/2	12	1	1	20

NOTE: For battery beams other than standard spread. Measure distance between lifting points. Specify Model 36 with beam spread (in even inches) equal to length measured.

In Stock - Items with green model numbers ship in 48 hours, excluding weekends and holidays.

Model 36E - Adjustable (Batteries of Different Length)

Model Number	Rated Capacity (lbs.)	Standard Spread (in.)	Dimensions (in.)						Weight (lbs.)
			A	B	C	D	E	F	
36E-2.4	4800	36	5/8	3	6	21	1	1	17
36E-3.5	7000	36	3/4	2-3/4	5-1/2	22-1/2	1-1/8	1-1/8	20

NOTE: For Model 36E lifting beams, battery length cannot differ more than 6 inches from length of beam spread. For battery beams other than standard spread. Take average of shortest and longest batteries, and specify Model 36E with beam spread (in even inches) equal to average lengths. Battery length must be within 12 inches, shortest to longest.

In Stock - Items with green model numbers ship in 48 hours, excluding weekends and holidays.

OPTION J:

J-Hooks available in place of swivel hooks at a reduced cost.

NOTE: When ordering J-Hook option show Model 36 as 36J, and Model 36E as 36EJ.

