

# Model 30

## Fixed Spreader Beams

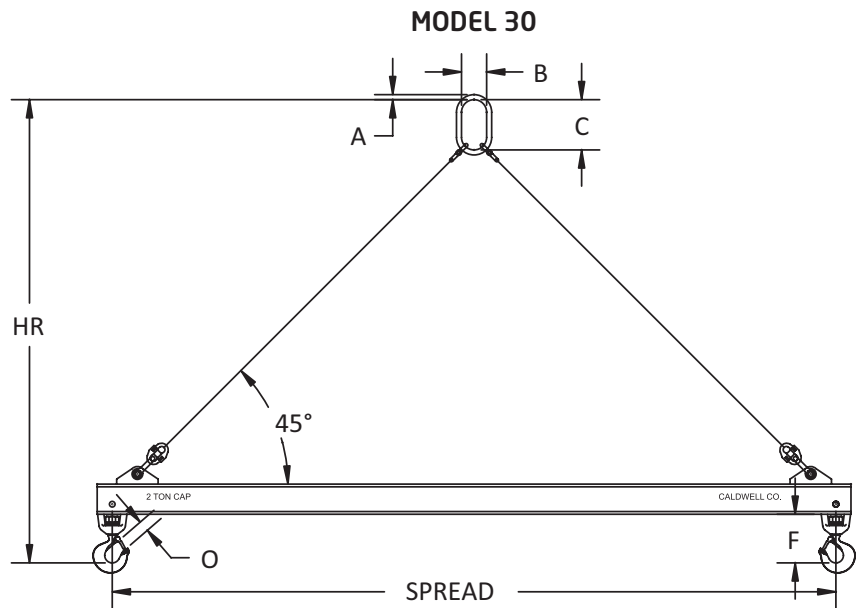
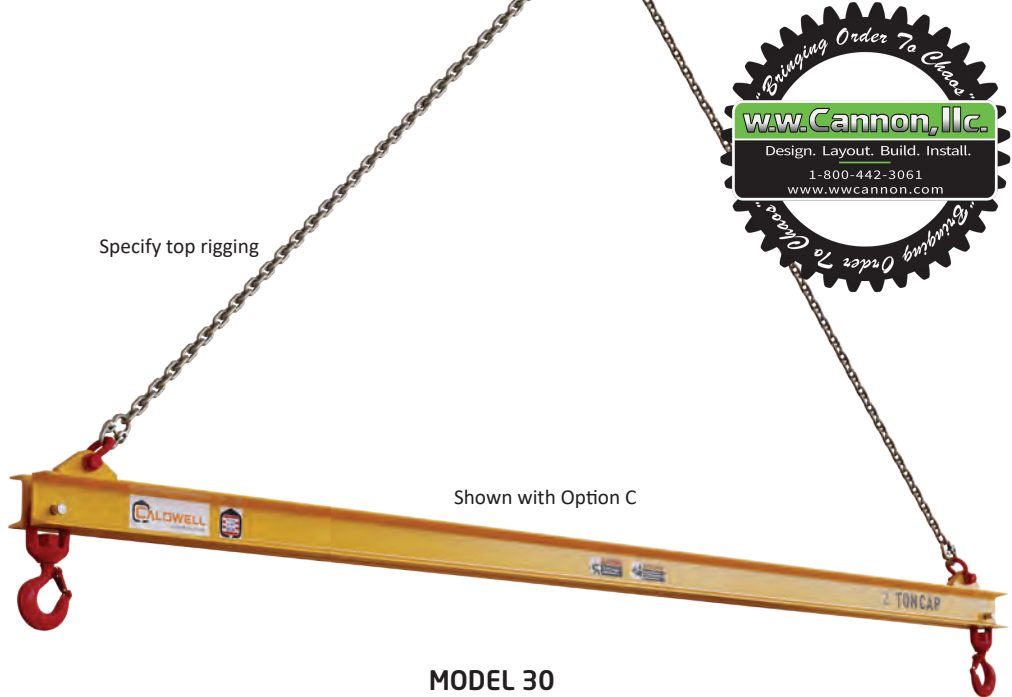
Not all picks require low-headroom beams. And sometimes you need the extra stability of a chain or wire rope rigging. In those situations, the Model 30 Fixed Spreader Beam is the right choice.

### Product Features:

- Ideal where headroom is not limited
- Adds stability to lift
- Available with standard chain or wire rope rigging
- Available with Adjust-A-Leg® rigging for off-center load adjustment (minimum lifting capacity will be approximately 10-15% of beam rating)
- Wide range of additional sizes and capacities available
- Complies with ASME standards

### Rigging Options:

- Option A – Adjust-A-Leg® sling top rigging for off-n load adjustment
- Option C – Chain top rigging from beam to crane hook
- Option W – Wire rope top rigging from beam to crane hook



Capacity (tons)	Model Number HR Headroom (in.) Weight (lbs.)	Spread (feet)								Other Dimensions (in.)	
		4	6	8	10	12	16	20	24		
2	Model Number	30-2-4	30-2-6	30-2-8	30-2-10	30-2-12	30-2-16	30-2-20	30-2-24	A=1/2 B=4-1/4 C=5 O=31/32	
	HR Headroom	34	46	58	70	82	106	132	156		
5	Weight	45	60	82	95	115	225	408	445	A=1 B=3-1/2 C=7 F=6 O=1-1/16	
	Model Number	30-5-4	30-5-6	30-5-8	30-5-10	30-5-12	30-5-16	30-5-20	30-5-24		
10	HR Headroom	37	49	61	73	83	110	134	158	A=1-1/4 B=4-3/8 C=8-3/4 F=8-1/8 O=1-1/2	
	Weight	62	78	100	117	168	305	435	661		
15	Model Number	30-10-4	30-10-6	30-10-8	30-10-10	30-10-12	30-10-16	30-10-20	30-10-24	A=1-1/2 B=5-1/4 C=10-1/2 F=9-1/4 O=1-3/4	
	HR Headroom	41	53	64	77	86	113	138	163		
20	Weight	100	122	156	180	240	380	532	915	A=1-3/4 B=6 C=12 F=9-3/4 O=2	
	Model Number	30-15-4	30-15-6	30-15-8	30-15-10	30-15-12	30-15-16	30-15-20	30-15-24		
30	HR Headroom	43	55	65	80	92	116	140	167	A=1-3/4 B=6 C=12 F=9-3/4 O=2	
	Weight	126	155	185	242	270	420	665	953		
40	Model Number	30-20-4	30-20-6	30-20-8	30-20-10	30-20-12	30-20-16	30-20-20	30-20-24	A=2 B=7 C=14 F=13 O=2-3/4	
	HR Headroom	46	58	69	82	94	118	140	170		
40	Weight	170	200	233	315	350	540	775	1341	A=1-3/4 B=6 C=12 F=9-3/4 O=2	
	Model Number	30-30-6	30-30-8	30-30-10	30-30-12	30-30-16	30-30-20				
40	HR Headroom	60	70	83	95	120	145	145	1390	A=2 B=7 C=14 F=13 O=2-3/4	
	Weight	285	402	440	530	888					
40	Model Number	30-40-6	30-40-8	30-40-10	30-40-12	30-40-16				A=2 B=7 C=14 F=13 O=2-3/4	
	HR Headroom	65	77	89	102	127					
40	Weight	563	695	781	1058	1364				A=2 B=7 C=14 F=13 O=2-3/4	
	Model Number										

NOTE: Weight = Beam and hooks only - (no top rigging).