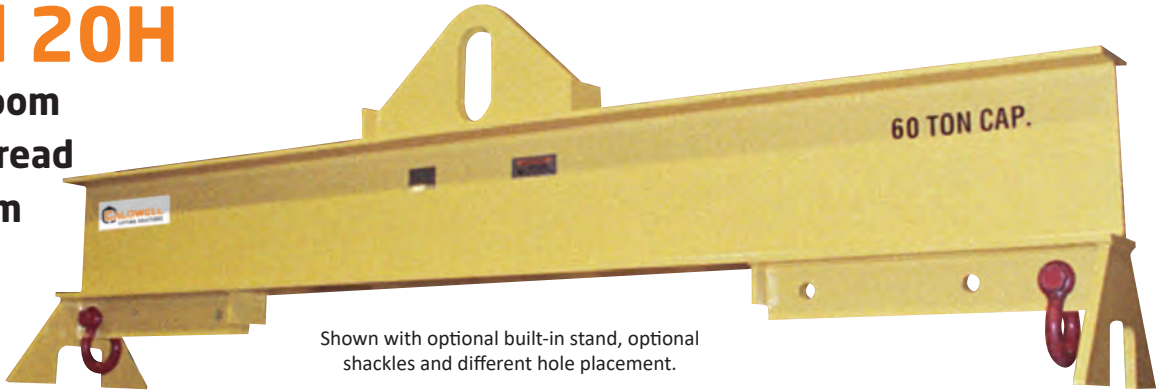


Model 20H

Low-Headroom Multiple-Spread Lifting Beam



Shown with optional built-in stand, optional shackles and different hole placement.

Higher capacities? Greater outside spreads? Both? When you need a more powerful beam to do the work, the Model 20H is ready for the job. Standard units handle up to 40 tons with outside spreads up to 42'L.

If you need something larger, Caldwell can help. Our Mill Duty line of Low-Headroom Multiple-Spread Lifting Beams handles loads up to 375 tons!

Product Features:

- 'I' beam construction
- Three spreads to adjust to the load
 - Outside spread
 - Middle spread (outside less 1')
 - Inside spread (outside less 2')
- Swivel hooks with hook latches standard
- Wide range of sizes and capacities available
- Customize your Model 20H with these options: Extra Holes/Different Placement of Holes, Extra Shackles and Swivel Hooks, and/or Built-In Stand
- Complies with ASME standards

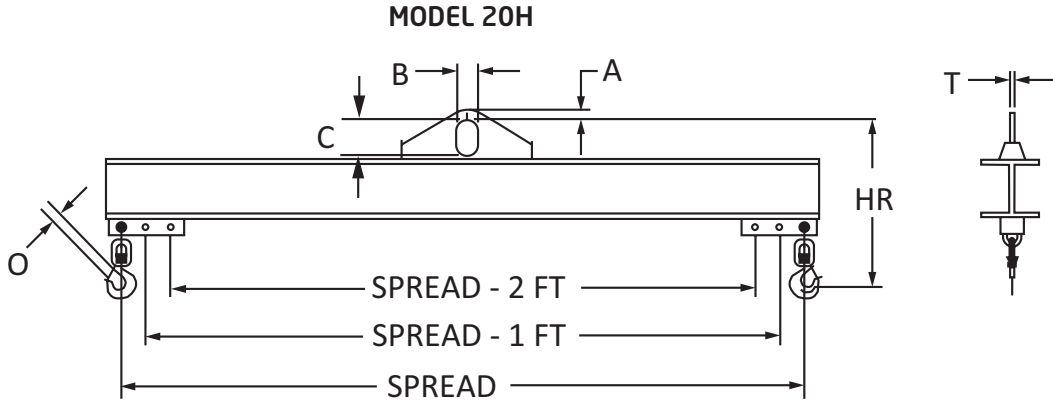
Capacity (tons)	Model Number HR Headroom (in.) Weight (lbs.)	Outside Spread (feet)			
		8	10	12	
1	Model Number HR Headroom Weight				
2	Model Number HR Headroom Weight				
3	Model Number HR Headroom Weight				
5	Model Number HR Headroom Weight				
7-1/2	Model Number HR Headroom Weight				
10	Model Number HR Headroom Weight				
15	Model Number HR Headroom Weight				
20	Model Number HR Headroom Weight				
25	Model Number HR Headroom Weight				
30	Model Number HR Headroom Weight		20H-30-10 59.75 1150	20H-30-12 61.50 1395	
40	Model Number HR Headroom Weight	20H-40-8 71.50 1200	20H-40-10 72 1550	20H-40-12 72.25 1840	

Other sizes available, consult factory.

Find Pricing & Availability Online

Caldwell's Fast Find Pricing & Availability tool allows you to get the information you need to prepare quote – in a flash! Ask your sales rep for access to the new Distributor Portal now at **800.628.4263**.





Outside Spread (feet)										Other Dimensions (in.)	
14	16	18	20	24	30	34	38	42			
					20H-1-30 24 1250	20H-1-34 24 1605	20H-1-38 24 2120	20H-1-42 26 2810	A=7/8 B=3 C=5	T=3/4 O=7/8	
See pages 14 and 15 for these capacities and sizes.					20H-2-30 24 1560	20H-2-34 24 2130	20H-2-38 24.50 2680	20H-2-42 26.50 3410	A=1-1/2 B=3 C=5	T=1 O=7/8	
					20H-3-30 27.25 1840	20H-3-34 27.25 2070	20H-3-38 27.50 3110	20H-3-42 29 3890	A=1-1/2 B=3 C=5	T=1 O=1	
					20H-5-30 32 2325	20H-5-34 32 3130	20H-5-38 34 3950	20H-5-42 34 4760	A=2 B=4 C=7	T=1-1/4 O=1-3/8	
			20H-7 1/2-20 34.75 1325	20H-7 1/2-24 34.75 1890	20H-7 1/2-30 35 2790	20H-7-5-34 36.75 3560	20H-7-5-38 37 4760	20H-7-5-42 37 5730	A=2 B=4 C=7	T=1-1/4 O=1-5/8	
			20H-10-20 35.75 1500	20H-10-24 36 2100	20H-10-30 37.75 3190	20H-10-34 38 4300	20H-10-38 38 5230	20H-10-42 38.50 6910	A=2 B=4 C=7	T=1-1/4 O=1-5/8	
	20H-15-16 41.50 1350	20H-15-18 41.75 1610	20H-15-20 42 1915	20H-15-24 41.50 2340	20H-15-30 42.25 4255	20H-15-34 42.25 5,224	20H-15-38 42.50 6340	20H-15-42 43 8420	A=2-1/2 B=5 C=9	T=1-1/2 O=2-1/16	
20H-20-14 45.75 1210	20H-20-16 46 1510	20H-20-18 46.25 1885	20H-20-20 48 2225	20H-20-24 48.50 3155	20H-20-30 49.25 5040	20H-20-34 49.25 6250	20H-20-38 55.25 8170	20H-20-42 55.50 9930	A=2-3/4 B=5 C=9	T=1-1/2 O=2-1/4	
20H-25-14 55.75 1430	20H-25-16 55 1780	20H-25-18 56.75 2110	20H-25-20 59.75 2590	20H-25-24 60 3545	20H-25-30 60.75 5380	20H-25-34 64 7425	20H-25-38 64.50 9100	20H-25-42 67.25 11235	A=3 B=6 C=12	T=1-3/4 O=2-1/4	
20H-30-14 61.75 1695	20H-30-16 62 2050	20H-30-18 67.50 2380	20H-30-20 67.75 2850	20H-30-24 68 4040	20H-30-30 73.75 5725	20H-30-34 71.75 7930	20H-30-38 69.75 10100	20H-30-42 70 12300	A=3-1/2 B=7 C=16	T=2 O=2-1/4	
20H-40-14 72 2220	20H-40-16 74.75 2400	20H-40-18 75 3100	20H-40-20 78 3680	20H-40-24 81 4920	20H-40-30 84.25 6810	20H-40-34 77 9310	20H-40-38 80 11500	20H-40-42 83 14510	A=3-1/2 B=7 C=16	T=2-1/2 O=3	

PRODUCT OPTIONS



OPTION A
Extra Holes or Different Placement of Holes
 Allows multiple hook positioning beyond standard 3 spreads. Specify number and spread(s) required.



OPTION B
Extra Shackles and Swivel Hooks
 Allows for multiple pick points or eliminates the need to move hardware for different size loads.



OPTION C
Built In Stand
 Keeps beam upright for easy crane hook attachment (pictured above).