

# Model PLB

## Precision Lifting Boom

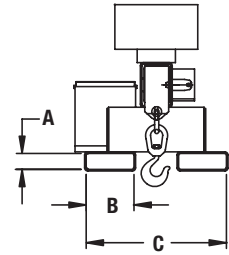
Quickly turns your fork lift into a portable crane.

**Product Features:**

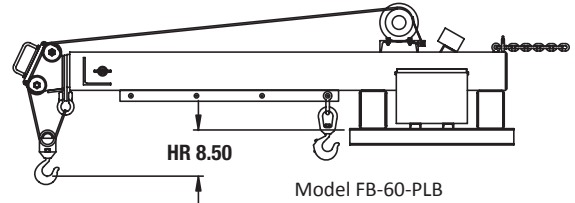
- Portable, compact and versatile lifting
- Fits standard fork lift truck
- Hook travels approximately 20'
- Adjusts both horizontally and vertically
- Restraining chain with grab hooks
- Completely self contained 12Volt DC power supply
- 100 AMP hour battery with charger
- Easy to use toggle button control with standard 12' cord
- Hoist hook speed averages 7.5 FPM



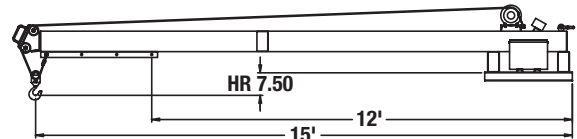
**MODEL PLB**



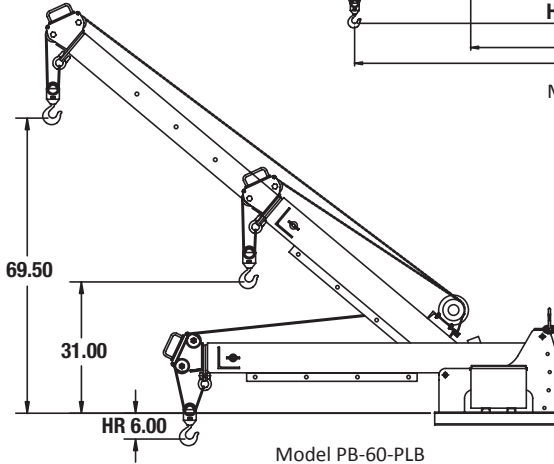
Fork Pocket Configuration  
All Models



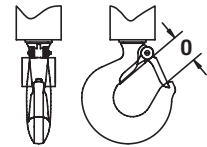
Model FB-60-PLB



Model EFB-25-PLB



Model PB-60-PLB



Hook All Models

**NOTE:** All dimensions on drawings shown in inches unless stated.

**WARNING**

Capacity of lift truck and attachment combination may be less than capacity shown on attachment. Consult lift truck manufacturer.

## Make Your Life Easier

**Order or check pricing and availability online!**

The Caldwell Distributor Portal is ready for you! Save time with this handy online tool.

**Ask your Caldwell rep for details!**

Model Number	Dimensions (in.)					Maximum Capacity (lbs.)		Weight (lbs.)
	A	B	C	HR	O	3'-6'	7'-12'	
FB-60-PLB	2.50	7.50	22.50	26.00	1.36	6000	2400	590
PB-60-PLB	2.50	7.50	22.50	28.25	1.36	6000	2400	620

Model Number	Dimensions (in.)					Maximum Capacity (lbs.)				Weight (lbs.)
	A	B	C	HR	O	Boom Hook		Lifting Hook		
EFB-25-PLB	2.50	7.50	42	26.00	1.00	12'	13'	2100	2000	865



**Real Time Test**

Starting with a fully charged battery, the Precision lifting Boom lifts and lowers a 1,000-pound load from an eight-foot steel pit forty times. The battery charges in four to five hours with the supplied charger.