



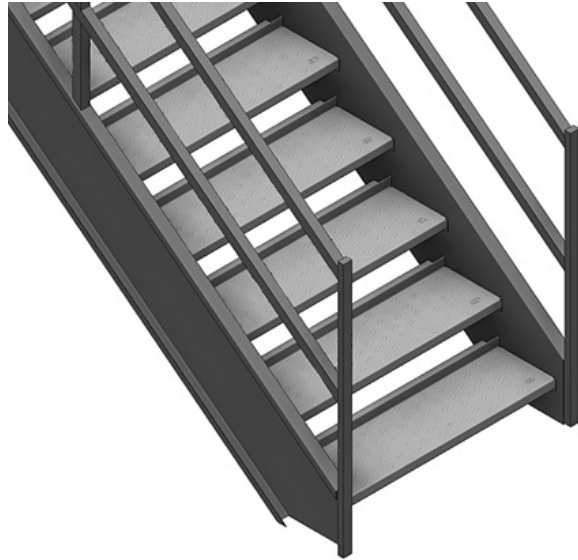
Cogan
Since 1901



Mezzanines
Increase Floor Space

cogan.com

STAIRCASES



MODEL 1

MODELS

Description

Cogan provides various model of staircases.

w.w.Cannon, Inc.

Design. Layout. Build. Install.

1-800-442-3061

www.wwcannon.com

PRODUCT INFORMATION

SPECIFICATIONS

Models Available	Model 1 = 2 Rails, 38° Angle, 8" Max Rise, 10" Min Run
	Model 2 = 3 Rails, 31° Angle, 7" Max Rise, 11" Min Run
	Model 3 = 3 Rails + Inner Handrail, 31° Angle, 7" Max Rise, 11" Min Run
	Model 4 = 2 Rails + Inner Handrail + Wire Mesh, Intergrated Panels, 31° Angle, 7" Max Rise, 11" Min Run

COLORS



Cogan Grey
(Guard and Stringers)

Electro-Galvanized
(Tread and Closed
Risers)





Cogan
Since 1901

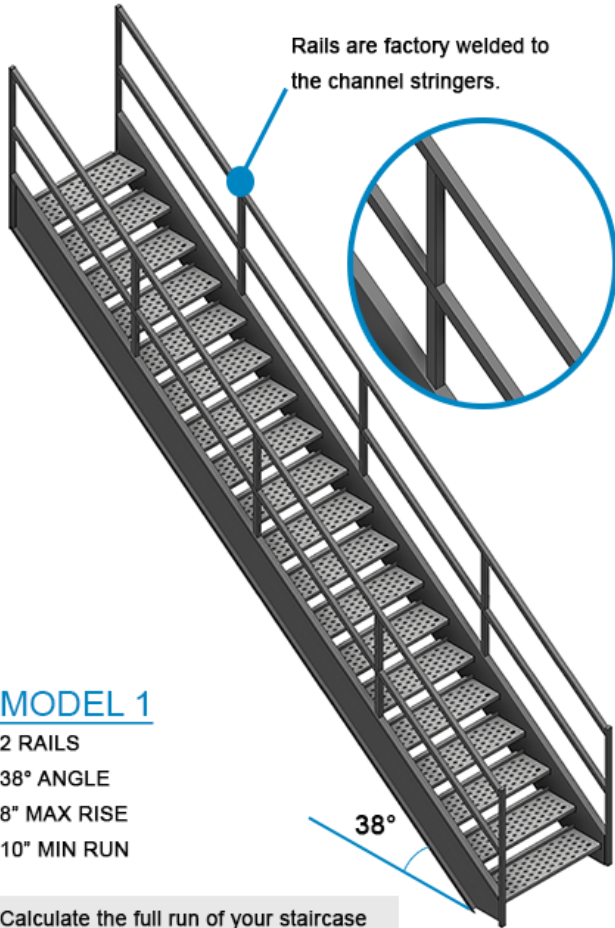


Mezzanines
Increase Floor Space

cogan.com

STAIRCASES

DETAILS

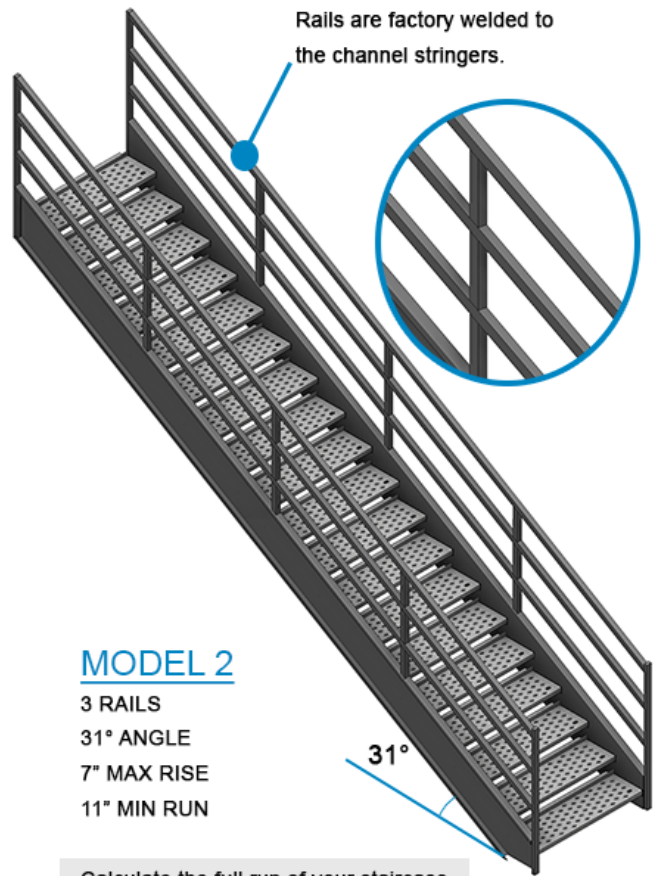


MODEL 1

- 2 RAILS
- 38° ANGLE
- 8" MAX RISE
- 10" MIN RUN

Calculate the full run of your staircase using this simple formula:

Height of your mezzanine floor X 1.25



MODEL 2

- 3 RAILS
- 31° ANGLE
- 7" MAX RISE
- 11" MIN RUN

Calculate the full run of your staircase using this simple formula:

Height of your mezzanine floor X 1.61



Cogan
Since 1901

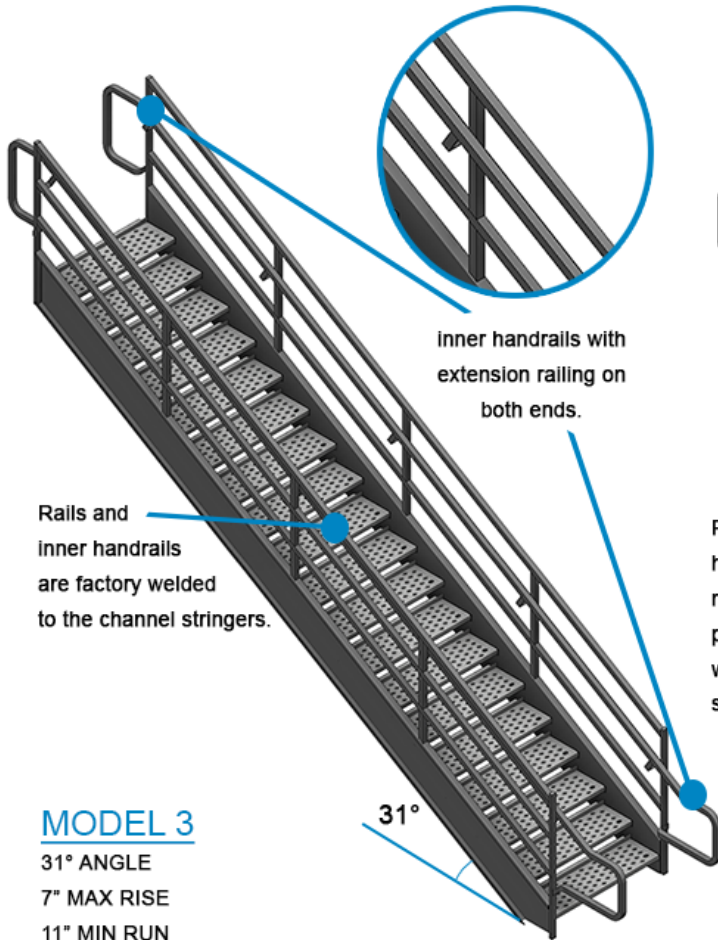


Mezzanines
Increase Floor Space

cogan.com

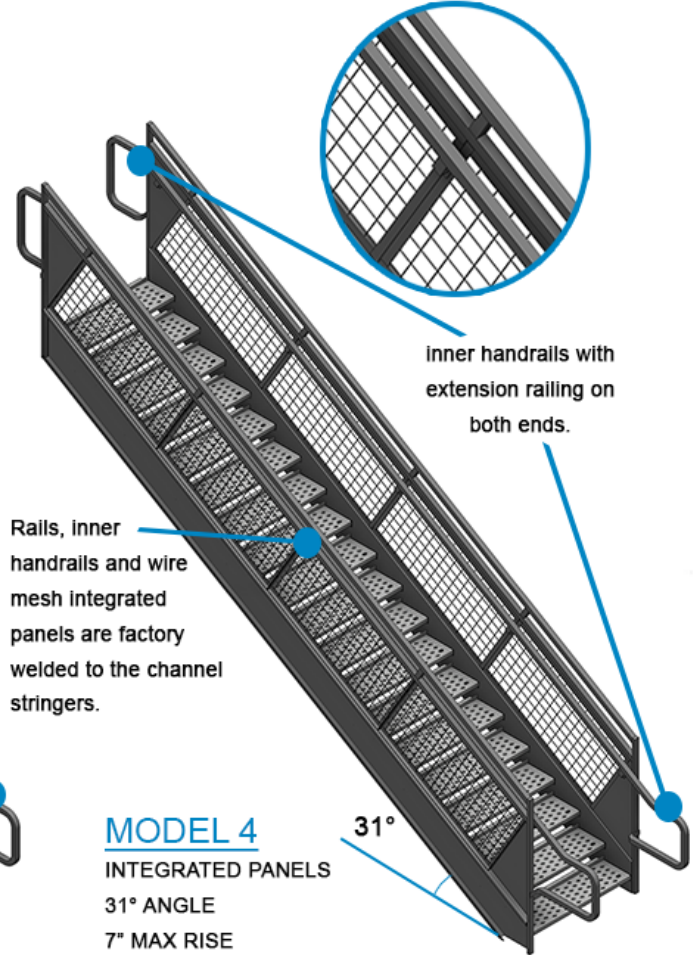
STAIRCASES

DETAILS



MODEL 3

31° ANGLE
 7" MAX RISE
 11" MIN RUN
 3 RAIL + INNER HANDRAIL



MODEL 4

INTEGRATED PANELS
 31° ANGLE
 7" MAX RISE
 11" MIN RUN
 2 RAIL + INNER HANDRAIL + WIRE MESH

Calculate the full run of your staircase using this simple formula:
 Height of your mezzanine floor X 1.61
 (Add 22" at the bottom for the extension railing)

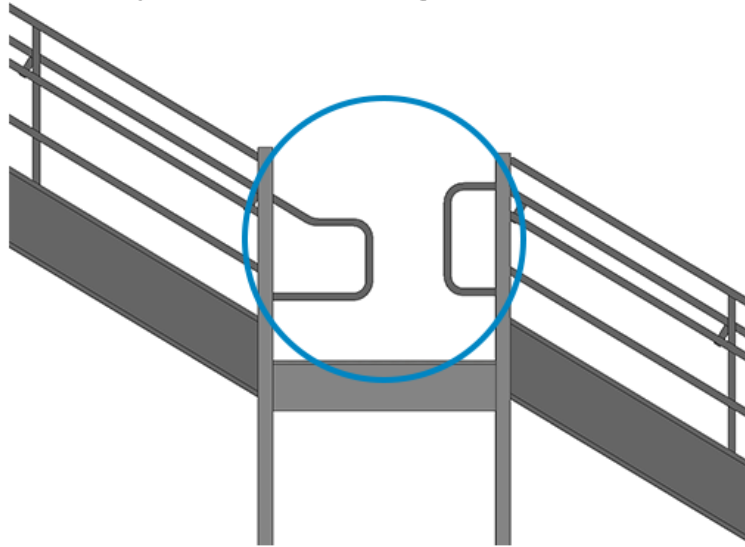
Calculate the full run of your staircase using this simple formula:
 Height of your mezzanine floor X 1.61
 (Add 22" at the bottom for the extension railing)



DETAILS

INNER HANDRAIL EXTENSION DETAIL

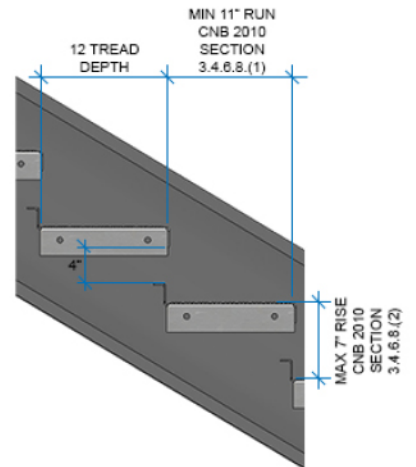
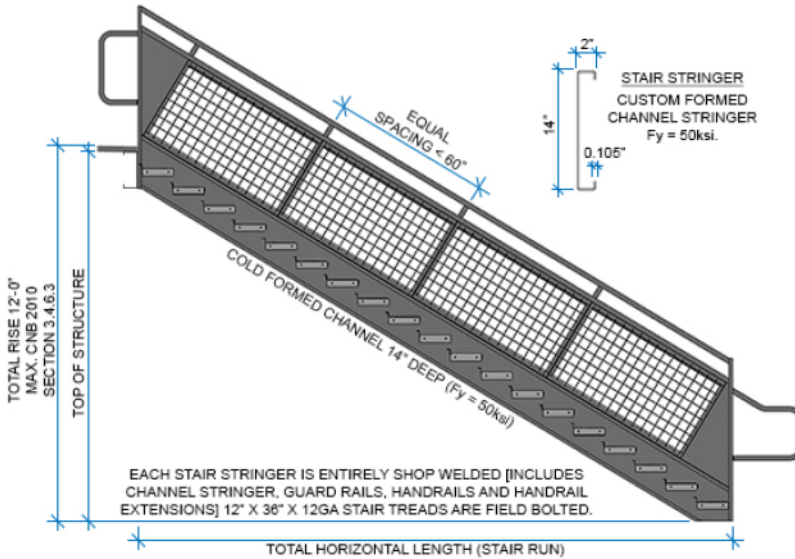
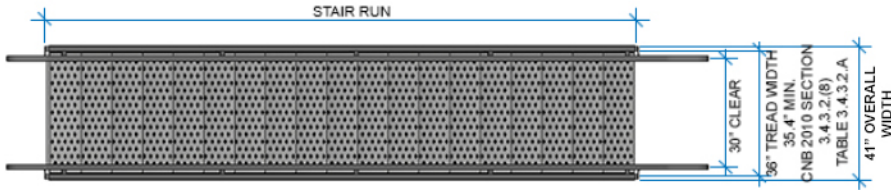
Top and bottom extension railings are not continuous



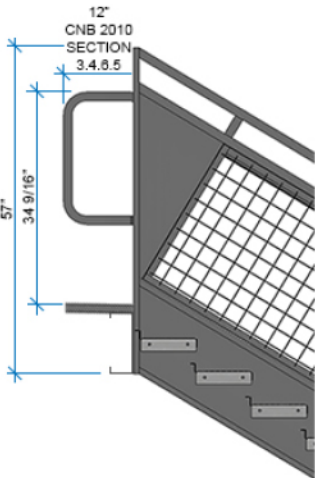


CANADA NBC SPECIFICATION

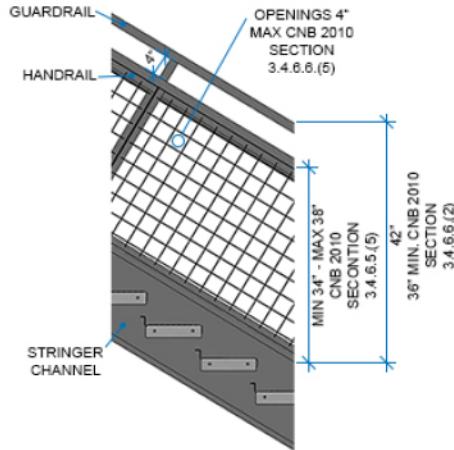
CANADA NBC 2010



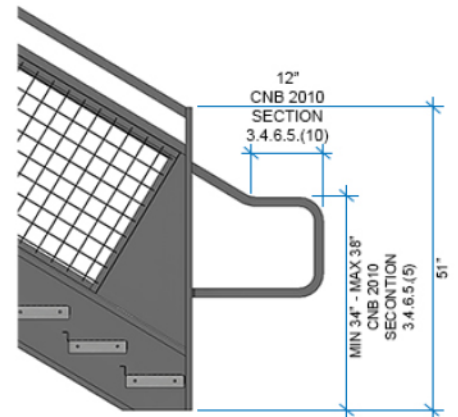
USE 3/8"Ø X 1" BOLTS TO FASTEN STEPS ONTO THE STRINGERS USING PRE-PUNCHED HOLES



UPPER HANDRAIL EXTENSION



ALL GUARDRAILS, GUARDRAIL UPRIGHTS AND HANDRAIL ARE HSS 1 1/2" X 1 1/2" X 16GA. THE ENTIRE SYSTEM [i.e. ALL GUARDRAILS, GUARDRAIL UPRIGHTS AND HANDRAILS] ARE SHOP WELDED TO THE CHANNEL STRINGER.

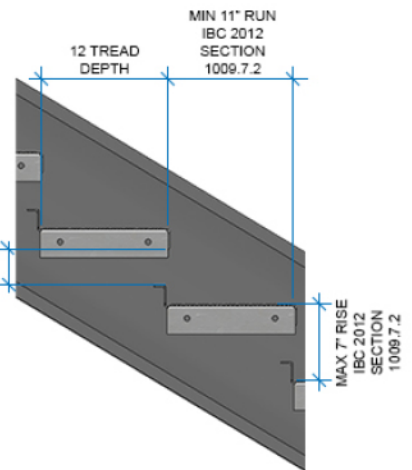
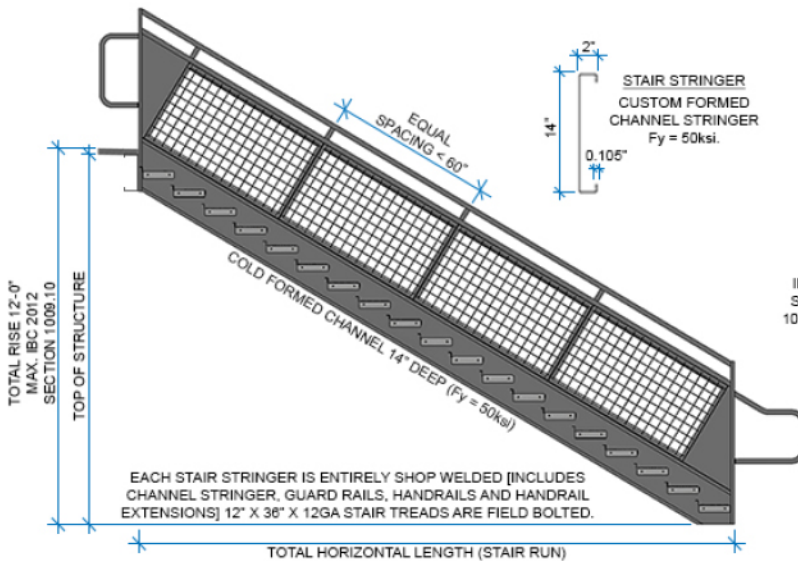
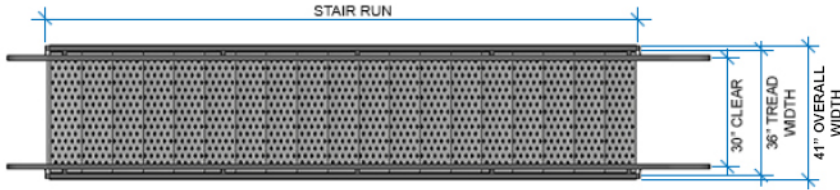


LOWER HANDRAIL EXTENSION

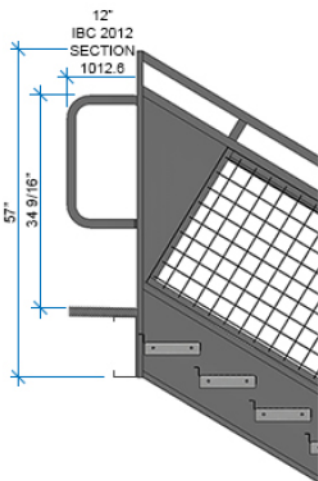


USA IBC SPECIFICATION

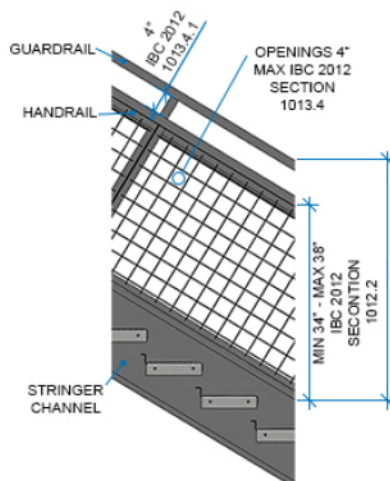
USA IBC 2012



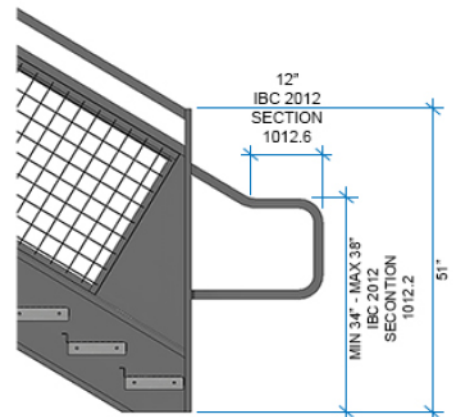
USE 3/8"Ø X 1" BOLTS TO FASTEN STEPS ONTO THE STRINGERS USING PRE-PUNCHED HOLES



UPPER HANDRAIL EXTENSION



ALL GUARDRAILS, GUARDRAIL UPRIGHTS AND HANDRAILS ARE HSS 1 1/2" X 1 1/2" X 16GA. THE ENTIRE SYSTEM (I.E. ALL GUARDRAILS, GUARDRAIL UPRIGHTS AND HANDRAILS) ARE SHOP WELDED TO THE CHANNEL STRINGER.

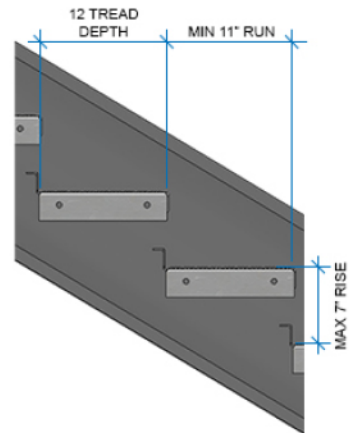
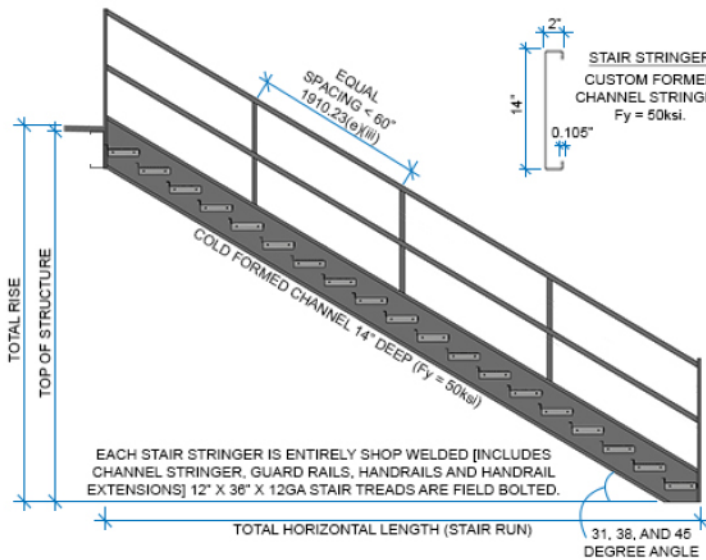
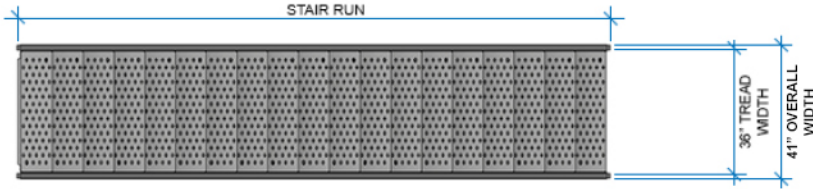


LOWER HANDRAIL EXTENSION

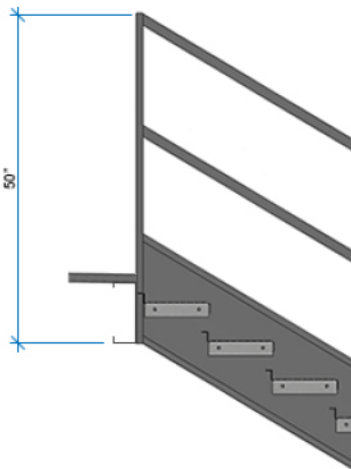


USA OSHA SPECIFICATION

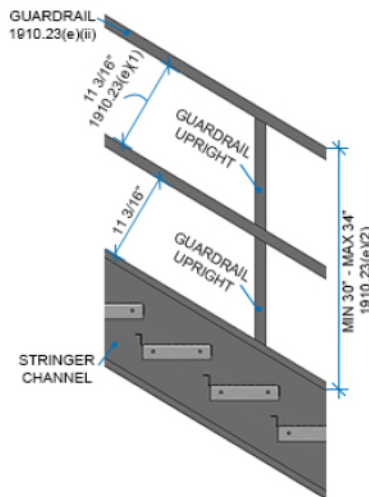
USA OSHA - 1910



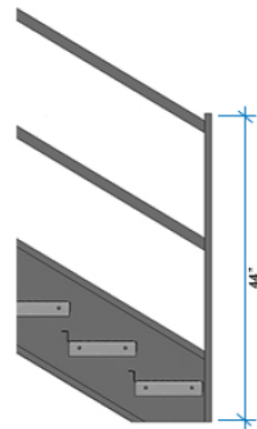
USE 3/8"Ø X 1" BOLTS TO FASTEN STEPS ONTO THE STRINGERS USING PRE-PUNCHED HOLES



UPPER HANDRAIL
EXTENSION



ALL GUARDRAILS, GUARDRAIL UPRIGHTS AND HANDRAIL ARE HSS 1 1/2" X 1 1/2" X 16GA. THE ENTIRE SYSTEM [i.e. ALL GUARDRAILS, GUARDRAIL UPRIGHTS AND HANDRAILS] ARE SHOP WELDED TO THE CHANNEL STRINGER.



LOWER HANDRAIL
EXTENSION