

Model DWS

Locking Type

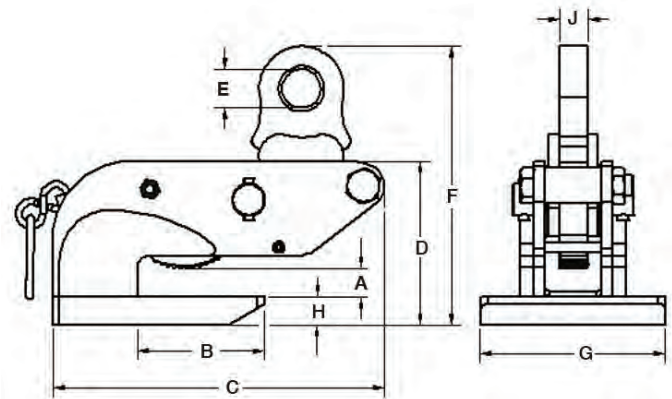
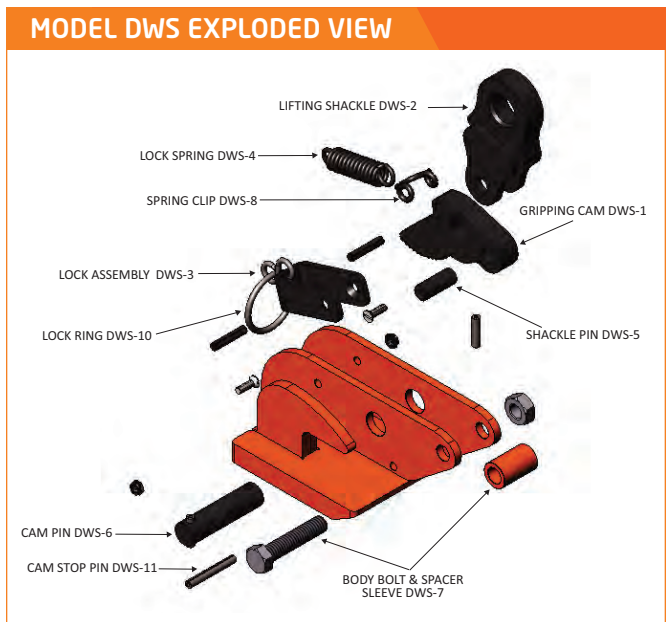
The Model DWS is a horizontal lifting clamp utilizing RENFROE'S famous "lock-closed" feature. This clamp comes in three sizes:

- 1/2 Ton: 0 – 3/4" opening
- 1-1/2 Ton: 0 – 1" opening
- 3 Ton: 0 – 1-1/4" opening

Recommended for use in pairs.



Choose from 1/2-ton to 3-ton capacity.



MODEL DWS SPECIFICATIONS (in inches)

Part Number	Plate Thickness A	B	C	D	Standard E	Option E	Max. F	G	H	J	Weight (lbs.)
1/2 Tons Capacity											
DWS-00.50-A	0 – 3/4	3	7	3-9/16	1	2-1/4	7-3/8	4	1/2	5/8	9
1-1/2 Tons Capacity											
DWS-01.50-A	0 – 1	3-1/2	8-1/4	4-1/4	1	2-1/4	8-1/8	5	5/8	5/8	14
3 Tons Capacity											
DWS-03.00-A	0 – 1-1/4	4-1/2	11-3/4	5-13/16	1-1/8	3-1/2	11-3/4	6-1/2	1	1	37

Consult factory for possible larger capacities. SPECIFICATIONS ARE SUBJECT TO CHANGE WITHOUT NOTICE.