

Model HRS

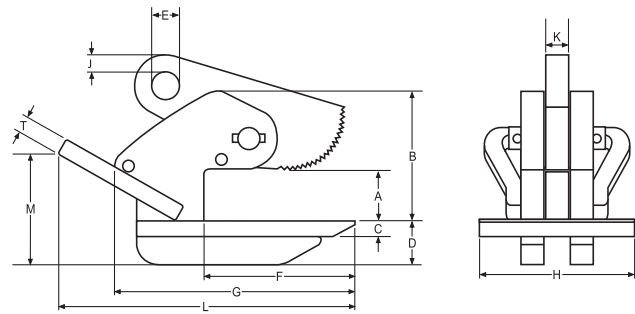
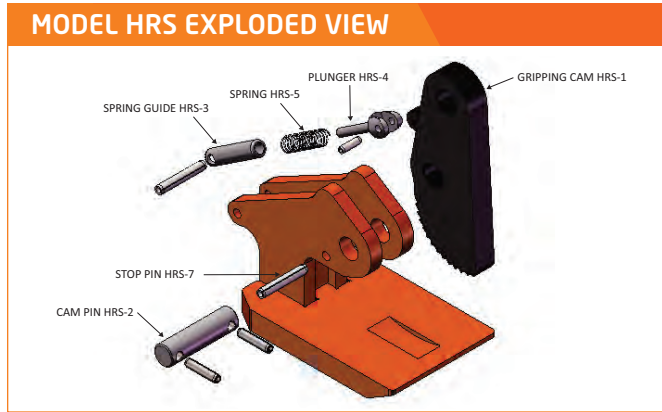
Spring-Loaded, Non-Locking

The Model HRS is a horizontal lifting clamp that has a spring-loaded open and closed position. The spring-closed position allows one-man operation of multiple clamps. The clamps stay in position where they're attached until spring open is actuated.

These clamps must be used in pairs, sets of pairs, or in a tripod arrangement for transporting plate horizontally.



Spring-loaded jaw holds clamp in place until lift begins – easier for one-person operation.



MODEL HRS SPECIFICATIONS (in inches)

Part Number	Plate Thickness A	B	C	D	E	F	G	H	J	K	L	M	T	Weight (lbs.)
1/4 Tons Capacity														
HRS-00.25-A	1/16 – 3/4	2-9/16	3/8	–	1/2	3	4-3/4	3	1/4	1/2	–	–	–	4
1/2 Tons Capacity														
HRS-00.50-A	1/16 – 1	3-5/16	1/2	–	1/2	3-3/4	5-15/16	3-1/4	5/16	1/2	–	–	–	5
1 Tons Capacity														
HRS-01.00-A	1/16 – 1-1/4	3-11/16	5/8	–	5/8	4	6-3/16	3-1/2	7/16	5/8	–	–	–	7
2 Tons Capacity														
HRS-02.00-A	1/16 – 1-1/2	4-1/2	3/4	–	1-1/16	5-3/8	8-5/8	5	9/16	3/4	10-15/16	3-1/4	5/8	20
3 Tons Capacity														
HRS-03.00-A	1/16 – 1-3/4	5-3/4	1	–	1-1/4	6-3/4	10-3/4	7	3/4	1	13	4	5/8	34
4 Tons Capacity														
HRS-04.00-A	1/16 – 2	5-3/4	3/4	2	1-1/4	6-3/4	10-3/4	7	3/4	1	13-5/16	5	3/4	44

Consult factory for possible larger capacities. SPECIFICATIONS ARE SUBJECT TO CHANGE WITHOUT NOTICE.

Check out the Model WHSR online for capacities up to 8 tons

Model WHSR Non-Locking Type

- Adjustable horizontal clamp intended to be used in pairs
- Dual spring loaded gripping cams remain open until the load is applied
- Easy jaw opening adjustments by positioning the pin
- Allows easy attaching & removing of the clamp

Go to caldwellinc.com/products/renfroe/horizontal/model-whsr

