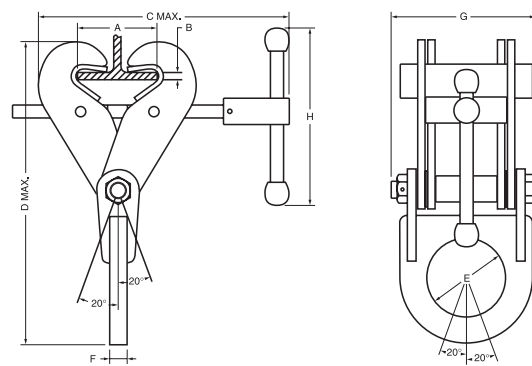
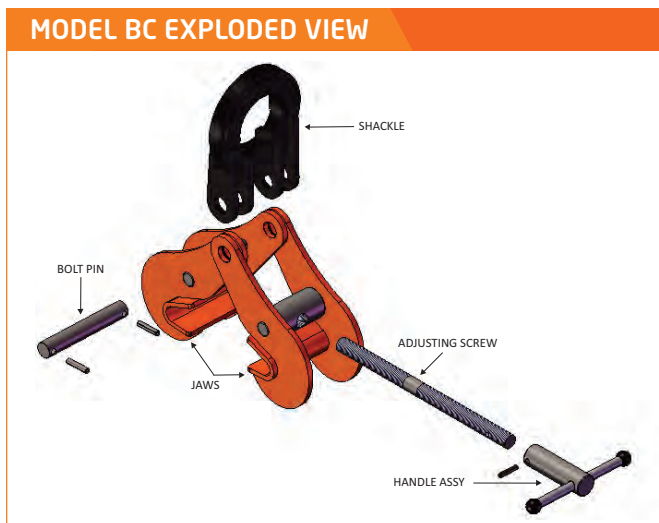




Model BC

Locking Type

The Model BC is a multi-purpose beam clamp suitable for both lifting beams or providing suspension of hoists from beams or girders, thereby eliminating the need for nuts, bolts and shackles. It is intended for use on the American standard or wide flange beams.



Not seeing what you need?

Let the Caldwell/Renfroe engineers help you design a solution for your unique lifting requirements.
Call 800.628.4263 to get started.



MODEL BC SPECIFICATIONS (in inches)

Part Number	Flange Width A	Flange Thickness B	C	D	E	F	G	H	Weight (lbs.)
1-1/2 Vertical Tons Capacity (0° - 20°)									
BC-01.50-A	3 - 7-1/4	1/4 - 1/2	11-7/8	11-3/4	3	1/2	5	5-3/4	9.5
3 Vertical Tons Capacity (0° - 20°)									
BC-03.00-A	3 - 7-1/4	1/4 - 1/2	11-7/8	12	3	5/8	5-3/16	6-3/4	13.5
5 Vertical Tons Capacity (0° - 20°)									
BC-05.00-A	6 - 9-1/2	1/2 - 3/4	17	14-7/8	3-1/4	3/4	6-5/16	6-3/4	22.5
10 Vertical Tons Capacity (0° - 20°)									
BC-10.00-A	6 - 11-1/8	1/2 - 1-1/4	21-1/4	19-1/8	4	1-1/2	7-1/8	9	53
15 Vertical Tons Capacity (0° - 20°)									
BC-15.00-A	8 - 16-3/4	7/8 - 2	32	26-1/2	4-1/2	1-3/4	8-3/8	12	120
25 Vertical Tons Capacity (0° - 20°)									
BC-25.00-A	18 - 38	2 - 3	61	40-1/2	5	2	15	15	450

Consult factory for possible larger capacities. SPECIFICATIONS ARE SUBJECT TO CHANGE WITHOUT NOTICE.

IN STOCK