



Model NMBL

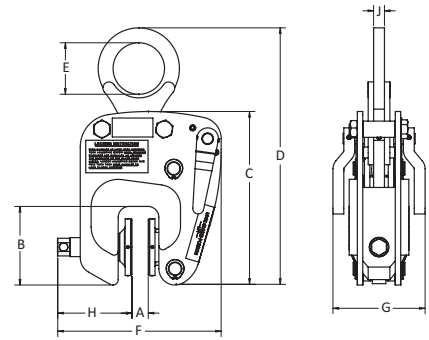
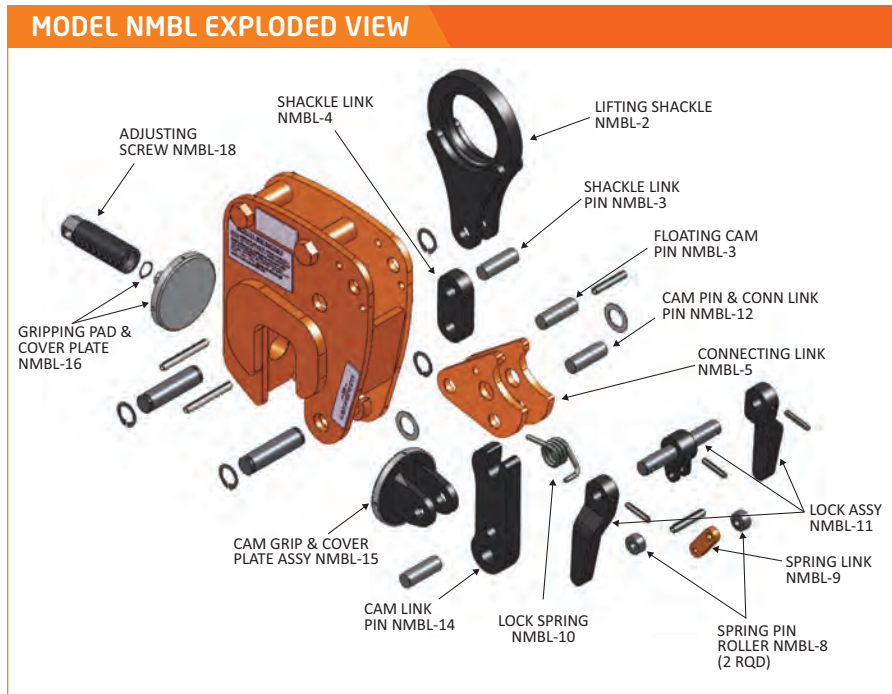
Locking Type

The NMBL Model is used to turn plates from the horizontal through a 180° arc. It is manufactured with smooth gripping surfaces to prevent marring when gripping stainless steel, copper, aluminum and other polished metal plates. The NMBL incorporates a lock open – lock closed feature to facilitate attaching and removing the clamp from the plate.



Recommended for use in pairs.

Non-marring with 180-degree turn. Stainless steel gripping component good for polished surfaces.



Made in the USA

All RENFROE clamps are proudly made by skilled craftspeople in our Rockford, IL, manufacturing headquarters.



MODEL NMBL SPECIFICATIONS (in inches)

Part Number	Plate Thickness A	B	C	D	E	Max. F	G	H	J	Weight (lbs.)
1/2 Tons Capacity										
NMBL-00.50-A	0 – 5/8	3-5/8	8	12-5/16	2-3/8	7-5/8	4-1/4	3-7/16	1/2	15.3
1 Tons Capacity										
NMBL-01.00-A	0 – 3/4	3-5/8	8	11-7/8	2-3/8	7-9/16	4-1/4	3-7/16	1/2	17.4
2 Tons Capacity										
NMBL-02.00-A	0 – 2	4-7/8	10-7/8	17-9/16	3	12-1/32	5-1/2	5-7/16	3/4	31
4 Tons Capacity										
NMBL-04.00-A	1/4 – 1-1/2	7-11/64	16-3/16	23-25/32	3	6-1/4	8-1/2	8-9/64	1-1/4	126

Consult factory for possible larger capacities. SPECIFICATIONS ARE SUBJECT TO CHANGE WITHOUT NOTICE.