

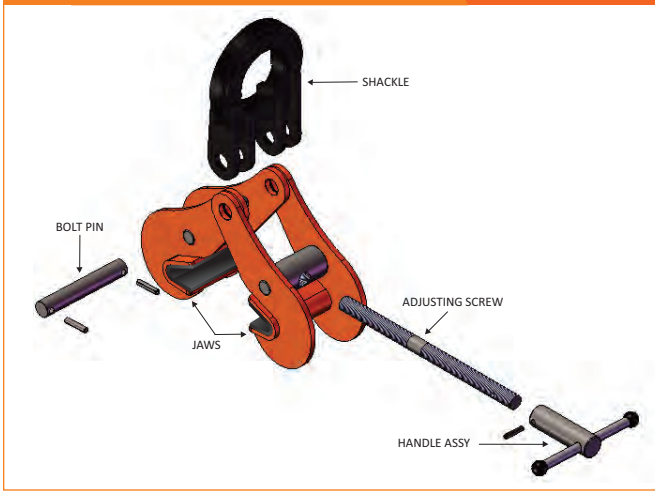


Model NMBC

Locking Type

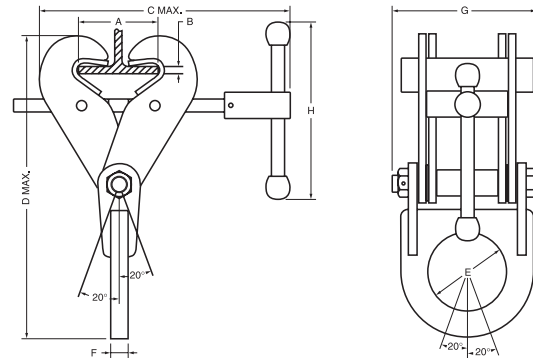
The Model NMBC is a portable beam clamp that has non-marring pads to protect the coating and finish of coated beams.

MODEL NMBC EXPLODED VIEW



Maintain clamps to extend their life

Caldwell Rebuild Kits, sold on pages 59-62, allow you to affordably and conveniently replace wear parts to ensure a long clamp life.



MODEL NMBC SPECIFICATIONS (in inches)

| Part Number | Flange Width A | Flange Thickness B | C | D | E | F | G | H | Weight (lbs.) |
|---|----------------|--------------------|--------|--------|-------|-------|--------|-------|---------------|
| 1-1/2 Vertical Tons Capacity (0° - 20°) | | | | | | | | | |
| NMBC-01.50-A | 3 - 7-1/4 | 1/4 - 1/2 | 11-7/8 | 11-3/4 | 3 | 1/2 | 5 | 5-3/4 | 9.5 |
| 3 Vertical Tons Capacity (0° - 20°) | | | | | | | | | |
| NMBC-03.00-A | 3 - 7-1/4 | 1/4 - 1/2 | 11-7/8 | 12 | 3 | 5/8 | 5-3/16 | 6-3/4 | 13.5 |
| 5 Vertical Tons Capacity (0° - 20°) | | | | | | | | | |
| NMBC-05.00-A | 6 - 9-1/2 | 1/2 - 3/4 | 17 | 14-7/8 | 3-1/4 | 3/4 | 6-5/16 | 6-3/4 | 22.5 |
| 10 Vertical Tons Capacity (0° - 20°) | | | | | | | | | |
| NMBC-10.00-A | 6 - 11-1/8 | 1/2 - 1-1/4 | 21-1/4 | 19-1/8 | 4 | 1-1/2 | 7-1/8 | 9 | 53 |
| 15 Vertical Tons Capacity (0° - 20°) | | | | | | | | | |
| NMBC-15.00-A | 8 - 16-3/4 | 7/8 - 2 | 32 | 26-1/2 | 4-1/2 | 1-3/4 | 8-3/8 | 12 | 120 |
| 25 Vertical Tons Capacity (0° - 20°) | | | | | | | | | |
| NMBC-25.00-A | 18 - 38 | 2 - 3 | 61 | 40-1/2 | 5 | 2 | 15 | 15 | 450 |

Consult factory for possible larger capacities. SPECIFICATIONS ARE SUBJECT TO CHANGE WITHOUT NOTICE.