



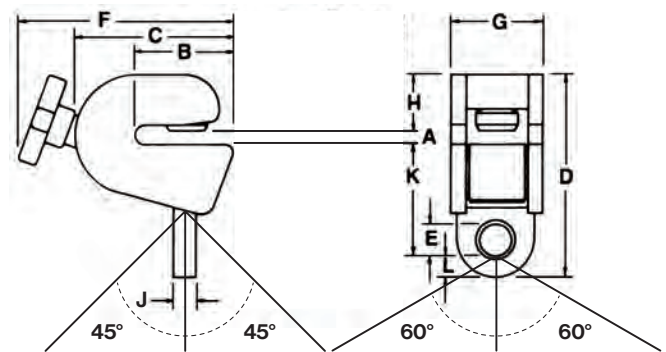
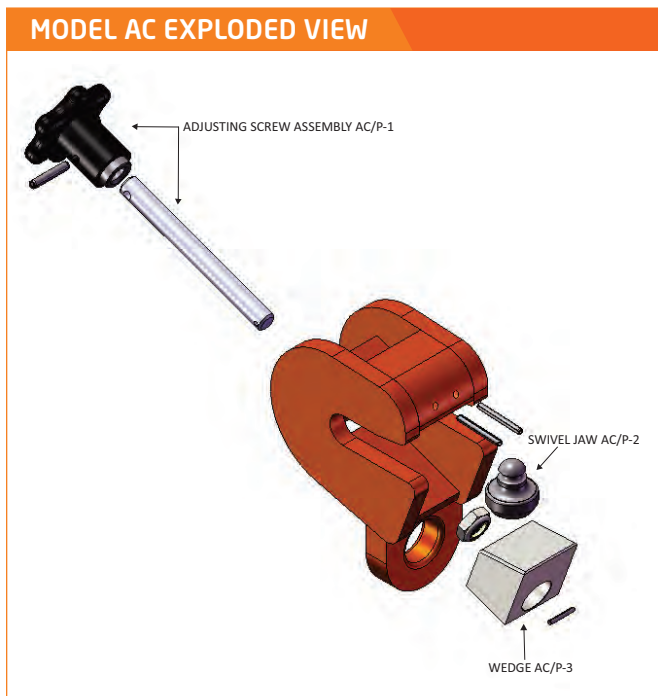
Model AC

Locking, Screw Type

These clamps may be used for drifting loads when used in pairs or multiples.

The Models AC and ACP are light weight, portable clamps that provide quick easy attachment to structural members for the use of chain falls, hoists and wire rope pullers. These clamps are of single unit construction with a quick acting hand screw to secure the clamp.

The Model AC has a fixed shackle eye. These clamps are especially useful in the construction and maintenance for shipbuilding and other industries.



MODEL AC SPECIFICATIONS (in inches)

Part Number	Flange Width A	B	C	D	E	F	G	H	J	K	L	Weight (lbs.)
2 Tons Capacity												
AC-02.00-A	1/4 – 5/8	3-1/4	5-1/4	7-5/16	1-1/4	6-15/16	3	1-13/16	3/4	4-9/16	3/4	11.75
AC-02.00-B	3/8 – 3/4	3-1/4	5-1/4	7-5/16	1-1/4	6-15/16	3	1-47/64	3/4	3-3/4	3/4	11.12
AC-02.00-C	1/2 – 7/8	3-1/4	5-1/4	3-5/16	1-1/4	6-15/16	3	1-13/16	3/4	4-3/4	3/4	11.26

Consult factory for possible larger capacities. SPECIFICATIONS ARE SUBJECT TO CHANGE WITHOUT NOTICE.