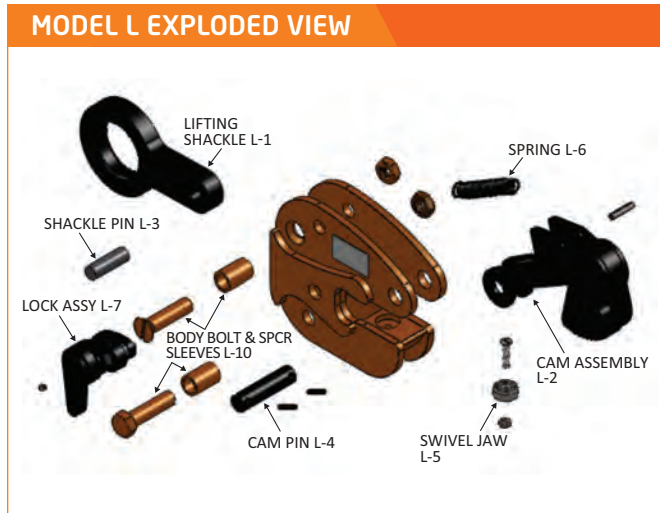




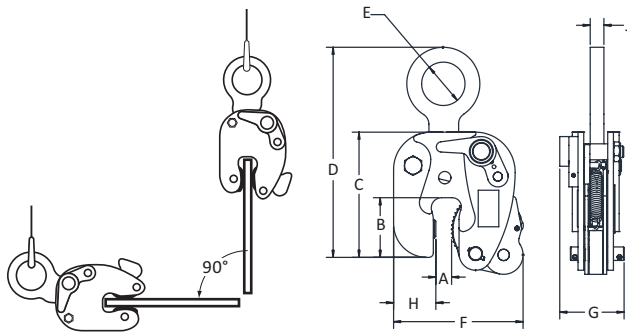
Model L

Locking Type

The **Model L** is an ergonomic vertical lifting clamp capable of turning a single plate or member from horizontal to vertical and back to horizontal through the same 90° arc. The “Lock Open – Lock Closed” feature facilitates attaching and removing the clamp from the plate.



Lighter duty, more ergonomic version of the Model J.



Renfroe Clamps 101: Repair, Rebuild, or Replace?

Know your options when you find a lifting clamp that's showing wear on the Caldwell blog here: caldwellinc.com/blog

MODEL L SPECIFICATIONS (in inches)

Part Number	Plate Thickness A	B	C	Max. D	E	Max. F	G	H	J	Weight (lbs.)
1/2 Tons Capacity										
L-00.50-A	0 – 5/8	2	4-7/8	8	1-1/8	4-1/4	2-7/16	1-3/8	3/8	4.8
1 Tons Capacity										
L-01.00-A	0 – 3/4	2	4-7/8	8	1-1/8	4-3/8	2-7/16	1-3/8	1/2	5.3
2 Tons Capacity										
L-02.00-A	0 – 1	3-5/16	6-7/8	12-1/2	2-3/8	7-1/16	3-5/8	2-3/8	3/4	18.2
3 Tons Capacity										
L-03.00-A	0 – 1	3-7/16	10	17	3-3/8	8-1/2	3-13/16	2-3/4	3/4	32

Consult factory for possible larger capacities. SPECIFICATIONS ARE SUBJECT TO CHANGE WITHOUT NOTICE.