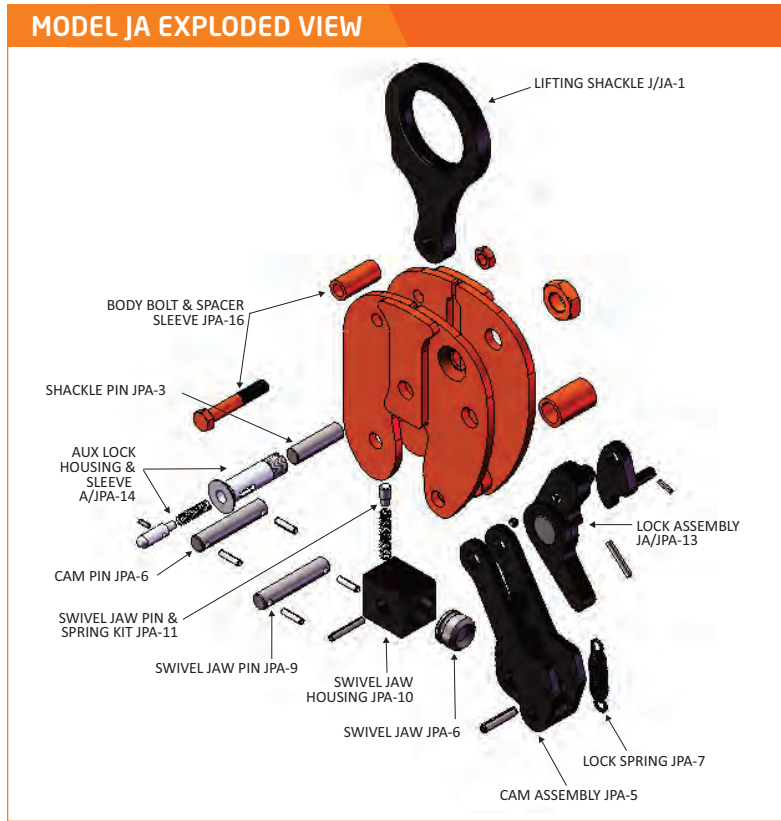


Model JA

Locking Type

The Model JA is a vertical lifting clamp capable of turning a single plate or member from horizontal to vertical to horizontal through a 180° arc. It incorporates a push button auxiliary lock. The “Lock Open – Lock Closed” feature facilitates attaching and removing the clamp from the plate.

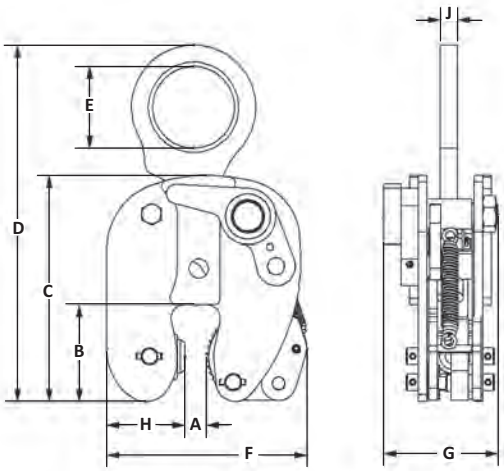


Use the Model JA for heavier loads and higher cycle counts.



Gateway to the West

In 1963, construction started on the Gateway Arch in St. Louis. It was built as a monument to the vision of President Thomas Jefferson and to St. Louis' role in the westward expansion of the United States. The arch stands 630 tall and RENFROE clamps were used to move over 900 million tons of stainless steel.



MODEL JA SPECIFICATIONS (in inches)

Part Number	Plate Thickness A	B	C	Max. D	E	Max. F	G	H	J	Weight (lbs.)
1/2 Tons Capacity										
JA-00.50-A	0 – 5/8	2-3/4	6-1/2	12	2-3/8	5-5/8	3-1/4	2-1/4	1/2	10
JA-00.50-B	1/2 – 1	2-3/4	6-1/2	12	2-3/8	6	3-1/4	2-1/4	1/2	
JA-00.50-C	3/4 – 1-1/4	2-3/4	6-1/2	12	2-3/8	6-1/4	3-1/4	2-1/4	1/2	
JA-00.50-D	1-1/4 – 1-3/4	2-3/4	6-1/2	12	2-3/8	6-3/4	3-1/4	2-1/4	1/2	
1 Tons Capacity										
JA-01.00-A	0 – 3/4	3-3/8	7-3/4	13-3/4	2-7/16	7	3-1/2	2-5/8	5/8	15
JA-01.00-B	1/2 – 1	3-3/8	7-3/4	13-3/4	2-7/16	7-1/4	3-1/2	2-5/8	5/8	
JA-01.00-C	3/4 – 1-1/4	3-3/8	7-3/4	13-3/4	2-7/16	8	3-1/2	2-5/8	5/8	
JA-01.00-D	1 – 1-1/2	3-3/8	7-3/4	13-3/4	2-7/16	8-1/4	3-1/2	2-5/8	5/8	
JA-01.00-E	1-1/2 – 2	3-3/8	7-3/4	13-3/4	2-7/16	8-3/4	3-1/2	2-5/8	5/8	
2 Tons Capacity										
JA-02.00-A	0 – 1	3-5/8	9-1/2	17-3/8	3-1/2	8-3/4	4-1/2	3	3/4	36
JA-02.00-B	3/4 – 1-1/2	3-5/8	9-1/2	17-3/8	3-1/2	9-1/4	4-1/2	3	3/4	
JA-02.00-C	1-1/4 – 2	3-5/8	9-1/2	17-3/8	3-1/2	9-3/4	4-1/2	3	3/4	
JA-02.00-D	2 – 2-3/4	3-5/8	9-1/2	17-3/8	3-1/2	10-1/2	4-1/2	3	3/4	
4 Tons Capacity										
JA-04.00-A	3/16 – 1-1/4	4-3/8	11-1/2	20-1/8	3-1/2	9-1/4	4-1/2	3-1/4	1-1/2	42
JA-04.00-B	1 – 2	4-3/8	11-1/2	20-1/8	3-1/2	10	4-1/2	3-1/4	1-1/2	
JA-04.00-C	2 – 3	4-3/8	11-1/2	20-1/8	3-1/2	11	4-1/2	3-1/4	1-1/2	
JA-04.00-D	3 – 4	4-3/8	11-1/2	20-1/8	3-1/2	12	4-1/2	3-1/4	1-1/2	
6 Tons Capacity										
JA-06.00-A	1/4 – 1-3/8	4-7/8	12-3/8	20-7/8	3-5/8	10-3/4	4-3/4	3-3/4	1-1/2	64
JA-06.00-B	1 – 2-1/8	4-7/8	12-3/8	20-7/8	3-5/8	11-1/2	4-3/4	3-3/4	1-1/2	
JA-06.00-C	2 – 3-1/8	4-7/8	12-3/8	20-7/8	3-5/8	12-1/2	4-3/4	3-3/4	1-1/2	
JA-06.00-D	3 – 4-1/8	4-7/8	12-3/8	20-7/8	3-5/8	13-1/2	4-3/4	3-3/4	1-1/2	
8 Tons Capacity										
JA-08.00-A	3/8 – 1-1/2	5-3/8	12-3/4	22-5/8	3-3/4	12-3/8	5-1/4	4-1/4	2	83
JA-08.00-B	1 – 2-1/8	5-3/8	12-3/4	22-5/8	3-3/4	13	5-1/4	4-1/4	2	
JA-08.00-C	2 – 3-1/8	5-3/8	12-3/4	22-5/8	3-3/4	14-5/8	5-1/4	4-1/4	2	
JA-08.00-D	3 – 4-1/8	5-3/8	12-3/4	22-5/8	3-3/4	15-5/8	5-1/4	4-1/4	2	
12 Tons Capacity										
JA-12.00-A	1/2 – 2-1/2	7-1/4	17-3/8	28-1/8	3-7/8	15-15/16	7-1/16	5-3/8	2	203
JA-12.00-B	2 – 4	7-1/4	17-3/8	28-1/8	3-7/8	17-7/16	7-1/16	5-3/8	2	212
JA-12.00-C	4 – 6	7-1/4	17-3/8	28-1/8	3-7/8	19-7/16	7-1/16	5-3/8	2	222
16 Tons Capacity										
JA-16.00-A	1/2 – 2-1/2	8	19-13/16	32-5/16	4-1/2	19-13/16	8-11/16	6-1/4	2-1/4	350
20 Tons Capacity										
JA-20.00-A	1/2 – 3	8-5/8	21-13/16	35-7/8	5	21	11-1/2	6-7/8	2-3/4	456
25 Tons Capacity										
JA-25.00-A	1/2 – 2-1/2	8-5/8	23-5/8	35-7/8	5	19-1/16	9-5/8	6-3/4	3	483
JA-25.00-B	3 – 5	8-5/8	23-5/8	35-7/8	5	21-9/16	9-5/8	6-3/4	3	495
JA-25.00-C	4 – 6	8-5/8	23-5/8	35-7/8	5	22-9/16	9-5/8	6-3/4	3	502
30 Tons Capacity										
JA-30.00-A	1/2 – 3	9-9/16	24-1/4	39-7/8	5	22-13/16	14-9/16	7-5/8	3	625
50 Tons Capacity										
JA-50.00-A	3 – 5	10-7/8	30-7/8	46-7/16	5	29-3/16	11-1/8	9-1/4	3-1/2	1306

Consult factory for possible larger capacities. SPECIFICATIONS ARE SUBJECT TO CHANGE WITHOUT NOTICE.