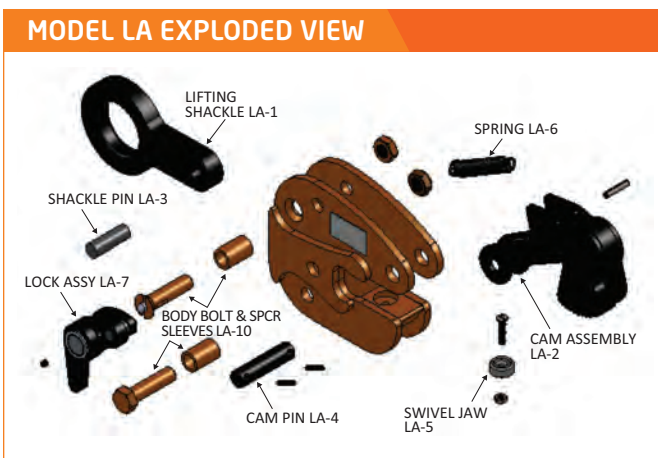




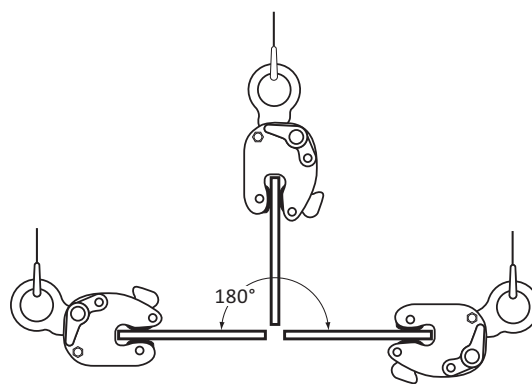
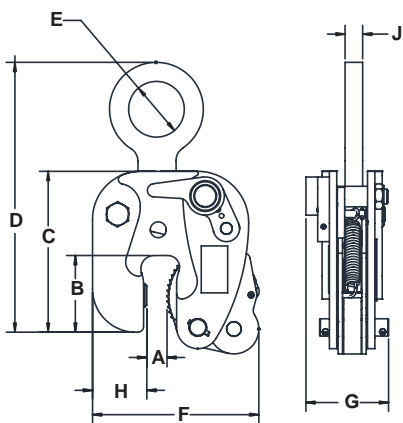
# Model LA

## Locking Type

The **Model LA** is an ergonomic vertical lifting clamp capable of turning a single plate or member from horizontal to vertical to horizontal through a 180° arc. It incorporates a push button auxiliary lock. The “Lock Open – Lock Closed” feature facilitates attaching and removing the clamp from the plate.



Lightweight, ergonomic version of the Model JA with round swivel jaw.



### MODEL LA SPECIFICATIONS (in inches)

| Part Number                | Plate Thickness A | B      | C     | Max. D | E     | Max. F | G       | H     | J   | Weight (lbs.) |
|----------------------------|-------------------|--------|-------|--------|-------|--------|---------|-------|-----|---------------|
| <b>1/2 Tons Capacity</b>   |                   |        |       |        |       |        |         |       |     |               |
| <b>IN STOCK</b> LA-00.50-A | 0 – 5/8           | 2      | 4-7/8 | 8      | 1-1/8 | 4-1/4  | 2-7/16  | 1-3/8 | 3/8 | 4.8           |
| <b>1 Tons Capacity</b>     |                   |        |       |        |       |        |         |       |     |               |
| <b>IN STOCK</b> LA-01.00-A | 0 – 3/4           | 2      | 4-7/8 | 8      | 1-1/8 | 4-3/8  | 2-7/16  | 1-3/8 | 1/2 | 5.3           |
| <b>2 Tons Capacity</b>     |                   |        |       |        |       |        |         |       |     |               |
| LA-02.00-A                 | 0 – 1             | 3-5/16 | 6-7/8 | 12-1/2 | 2-3/8 | 7-1/16 | 3-5/8   | 2-3/8 | 3/4 | 18.0          |
| <b>3 Tons Capacity</b>     |                   |        |       |        |       |        |         |       |     |               |
| LA-03.00-A                 | 0 – 1             | 3-7/16 | 10    | 17     | 3-3/8 | 8-1/2  | 3-13/16 | 2-3/4 | 3/4 | 32            |

Consult factory for possible larger capacities. SPECIFICATIONS ARE SUBJECT TO CHANGE WITHOUT NOTICE.